

Lunch Counter : Porkka HLM 86 / 126 / 166 BM

Construction

Exterior and interior material is stainless steel quality AISI 304.

The body and bain marie are insulated with HCFC-CFC free polyurethane insulating material.

Doors are lockable and equipped with magnetic gasket.

There is a forced air circulation in the cupboard.

The Bain Marie is equipped with effective foil heaters.

Available in 3 different widths.



Use

The lunch counter is made for serving hot food.

Bain Marie and cupboard are Gastronorm dimensioned and there is a separate on/off switch and thermostat for upper and lower section.

Operating temperature is +30°C...+90°C.



Power supply:

Voltage 220-240 V Single phase 50 or 60 Hz

Accessories:

4 Shelves dividing bars in well

Options:

Shelves

Canteen Startpackage

- 1 pcs. 1/1GN-150mm w/handle
- 1 pcs. 1/1GN lid w/space for ladle
- 2 pcs. 1/2GN-150mm w/handle
- 2 pcs. 1/2GN lid w/space for ladle
- 3 pcs. 1/3GN-150mm w/handle
- 3 pcs. 1/3GN lid w/space for ladle

Water connection

Overshelf w/light or infrared heat.

Frontglass w/light.

Tray rail

Capacity:

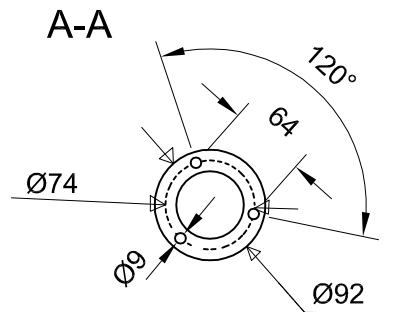
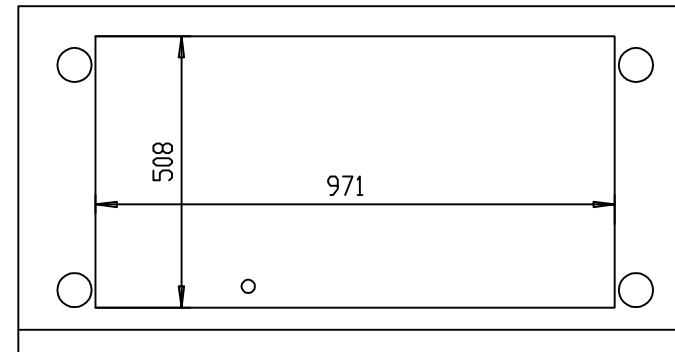
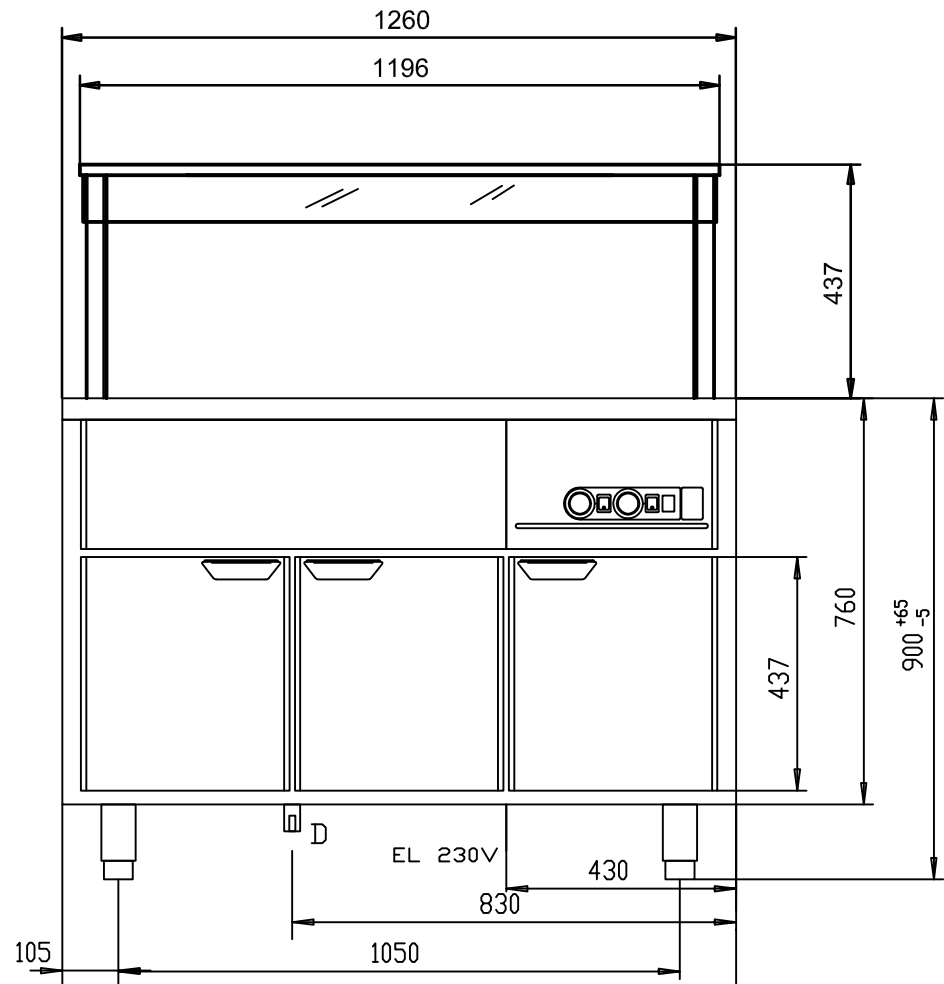
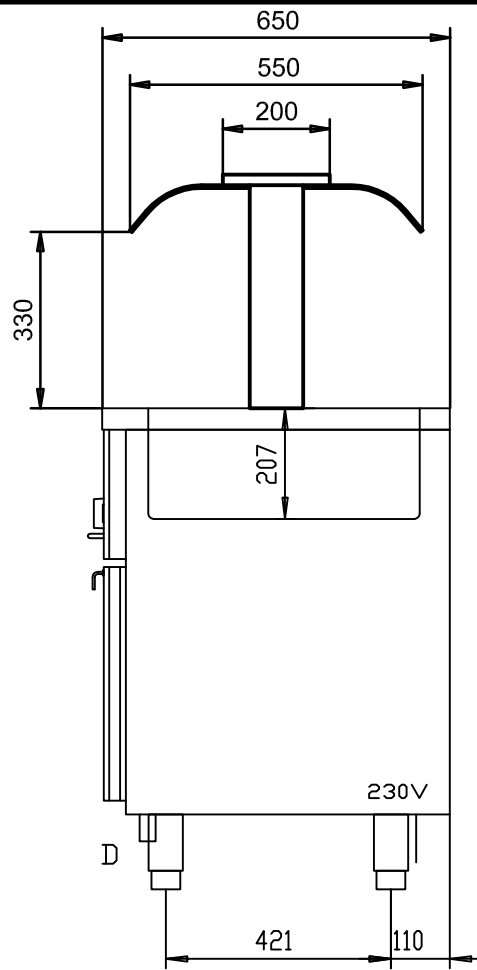
2, 3 or 4 GN

- EASY CLEANING
- HIGH CAPACITY
- SUPERB RESULTS
- RECYCLABLE



05.11

**NOTE!
OVERSHELF
WITH SNEEZEGUARD
IS OPTIONAL**



FLOOR FASTENING DETAIL

D = DRAINAGE 1/2"

Voltage	Rated Power	Fuse	Weight
230/1/50-60	2,6kW	16A	106kg



**TECHNICAL
SPECIFICATION**

LUNCH COUNTER W/SNEEZEGUARD
HLM-126-BM-1-1-1 + SG

Date: 2013.11.13 Dwg: 214856+454314