

# Cold Counter w/well: Porkka CLMGNS 86 – 126 - 166

## Construction

Exterior and interior material is stainless steel quality AISI 304.  
The body are insulated with HCFC-CFC free polyurethane insulating material. Doors are equipped with lockable magnetic gasket.  
Counters are fitted with automatic defrost and melt water evaporation.  
Refrigerant: R290  
Available in 3 different widths



## Use

The cold counter is made for storage of chilled food and beverage.  
Temperature is set and operated by a micro processed digital thermostat-thermometer combination.  
Operating temperature is +2°C...+ 5°C at an ambient temperature +5°C...+32°C



### Power supply:

Voltage 220-240 V Single phase 50 or 60 Hz

### Options:

Shelves

Canteen Startpackage

1 pcs. 1/1GN-150mm w/handle

1 pcs. 1/1GN lid w/space for ladle

2 pcs. 1/2GN-150mm w/handle

2 pcs. 1/2GN lid w/space for ladle

3 pcs. 1/3GN-150mm w/handle

3 pcs. 1/3GN lid w/space for ladle

Drawer section

Overshelf w/light

Frontglass w/light

Tray rail

Dividing bar in well

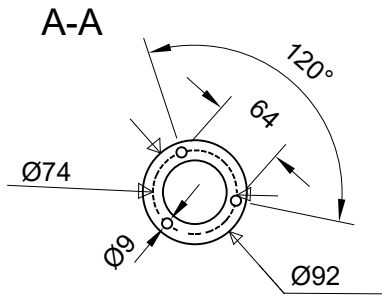
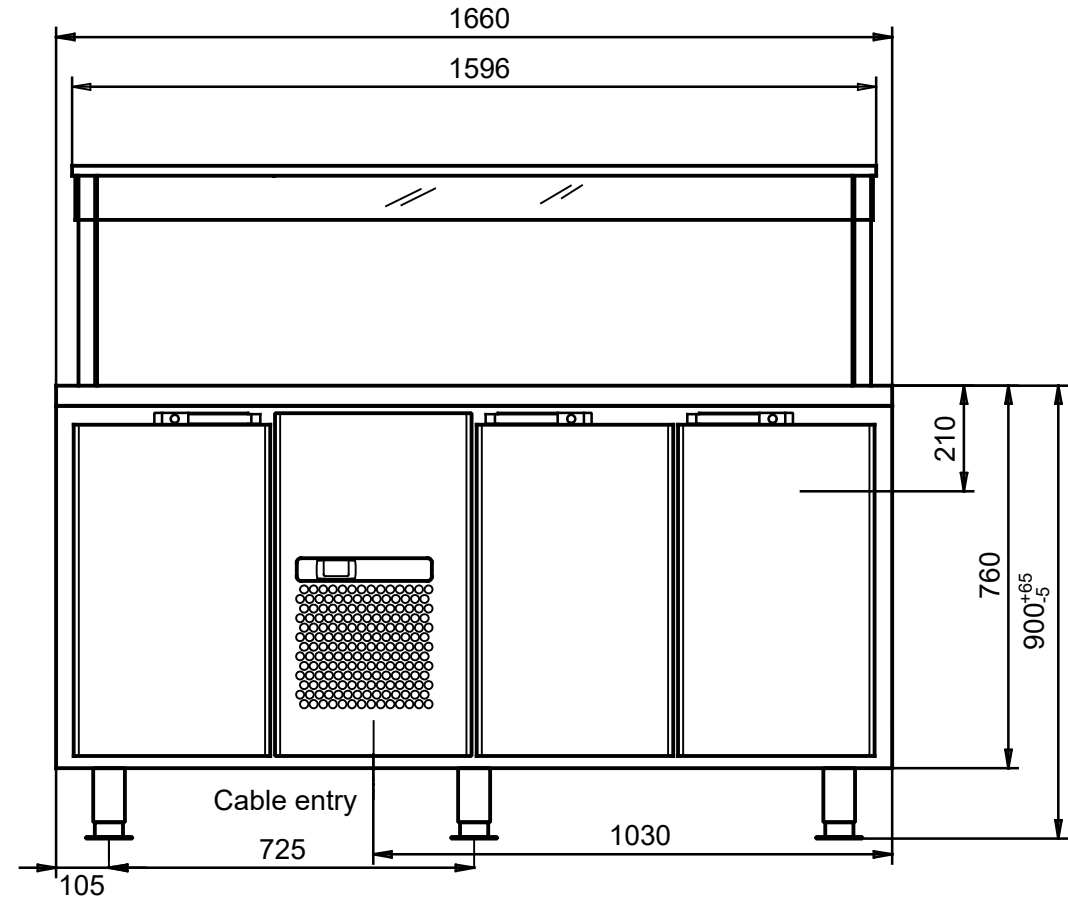
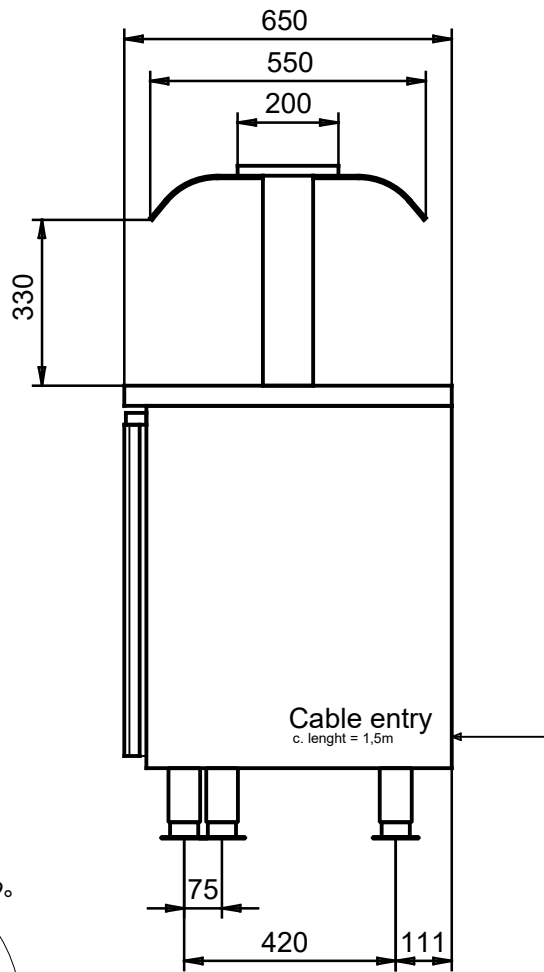
### Capacity:

2, 3 or 4 GN

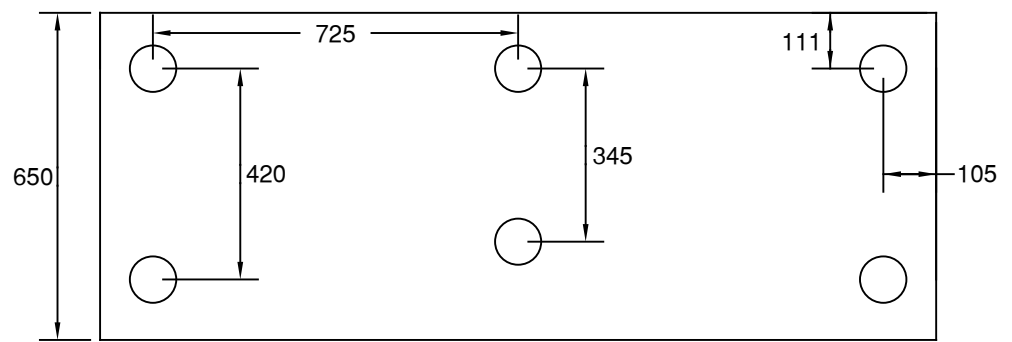
06.2023

- EASY CLEANING
- HIGH CAPACITY
- SUPERB RESULTS
- RECYCLABLE





FLOOR FASTENING DETAIL



Voltage	Rated Power	Fuse	Weight
230/1/60	0,4kW	10A	129kg

**TECHNICAL SPECIFICATION**

COLD COUNTER W/SNEEZEGUARD CLMGNS-1-CH-1-1 + SG	
Date: 2017.03.06	Dwg: 302442+454306