

Dishwasher :Lamber ML25-dy

Construction

The ML25-dy pass through dishwasher is an all stainless steel construction AISI 304 18/10. The hood has thermal and acoustic insulation and is equipped with an opening safety device.

This double skin dishwashing machine consolidates its vocation for economic maintenance and energy saving by means of new technological devices. Stainless steel washing pump and wash and rinse arms. Slanted wash tank with rounded edges and two integral tank filters.

- Built in rinse aid dispenser.
- Soft touch electronic control panel, extractable for easy maintenance.
- Digital thermometers.

Power supply:

230/400/440/480V-3phase
Other voltages on request

Accessories:

1 basket for cups / glasses
1 basket for plates
2 baskets for cutlery

Capacity:

20 to 60 baskets hour
1200 dishes per hour

Use

The new pressed wash tank and the counterbalanced self-washing door with a new design make this Lamber dishwasher incomparable as regarding washing performance.

The washing cycle starts at hood closing. Automatic tank loading and a self-washing tank cycle.

Washing cycle 1-2-3 min.

For a good washing result always arrange the dishes properly.



- EASY CLEANING
- HIGH CAPACITY
- SUPERB RESULTS
- RECYCLABLE

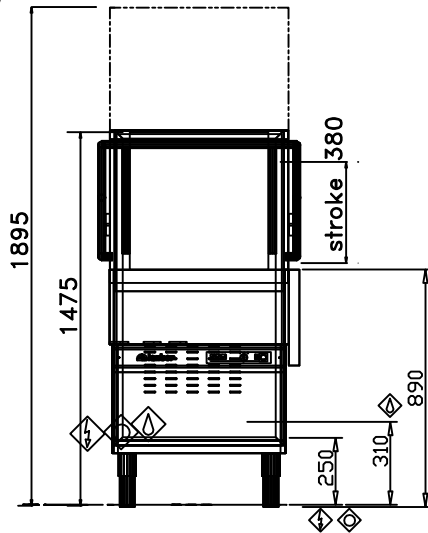


09.16

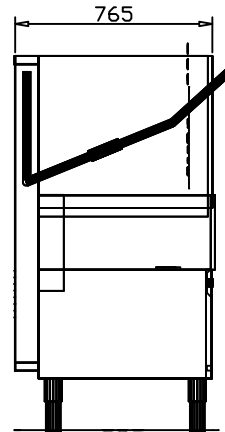
Voltage	Rated Power	Recommended fuse	Weight
440/3/60	10,1kW	16A	140kg

DISHWASHER
LAMBER ML-25-dy

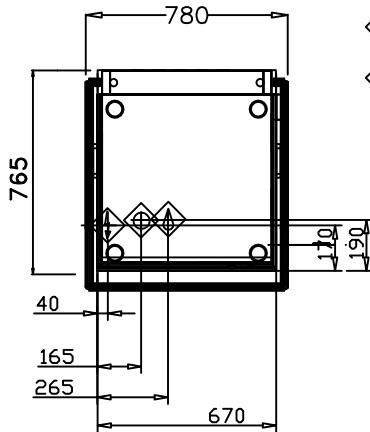
FRONT VIEW






LEFT VIEW



TOP VIEW



-  Hot water 3/4"G
Pressure 2-4 Bar
-  Power (PG16, cable incl)
-  Drain (to Gutter)
32mm-1 1/4"G

BOTTOM VIEW

