

# Dishwasher :Lamber MF92-dy

## Construction

Front loaded under counter machine with soft touch electronic panel. Complete stainless steel construction 18/10 AISI 304.

Lower and upper rotating wash arms and rinse arms in stainless steel. Self washing slanted tank with rounded edges.

- Double skin.
- Counter balanced door with security lock.
- Extractable control panel for easy maintenance
- Thermal control + Security thermostat.
- Rinse aid dispenser.

## Power supply:

Voltage 230/400/440V-3phase  
Other voltages on request

## Accessories:

1 basket for cups / glasses  
1 basket for plates  
2 basket for cutlery

## Options:

Base in stainless steel H=450mm  
Working height 850-900mm

## Capacity:

15 to 30 baskets hour  
600 dishes per hour

## Use

The double skin under counter dishwasher machine consolidates its vocation for economic maintenance and energy saving by means of new technological devices.

The new pressed tank and the counterbalanced self-washing door with a new design make Lamber dishwasher incomparable as regards washing performance.

Automatic tank loading.

Washing cycle 2-3-4 min.

For a good washing result always arrange the dishes properly.

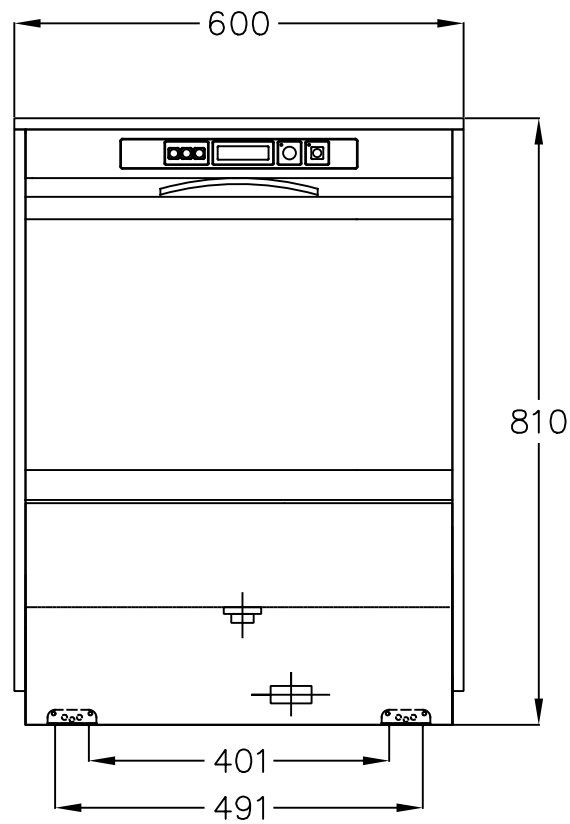


- EASY CLEANING
- HIGH CAPACITY
- SUPERB RESULTS
- RECYCLABLE

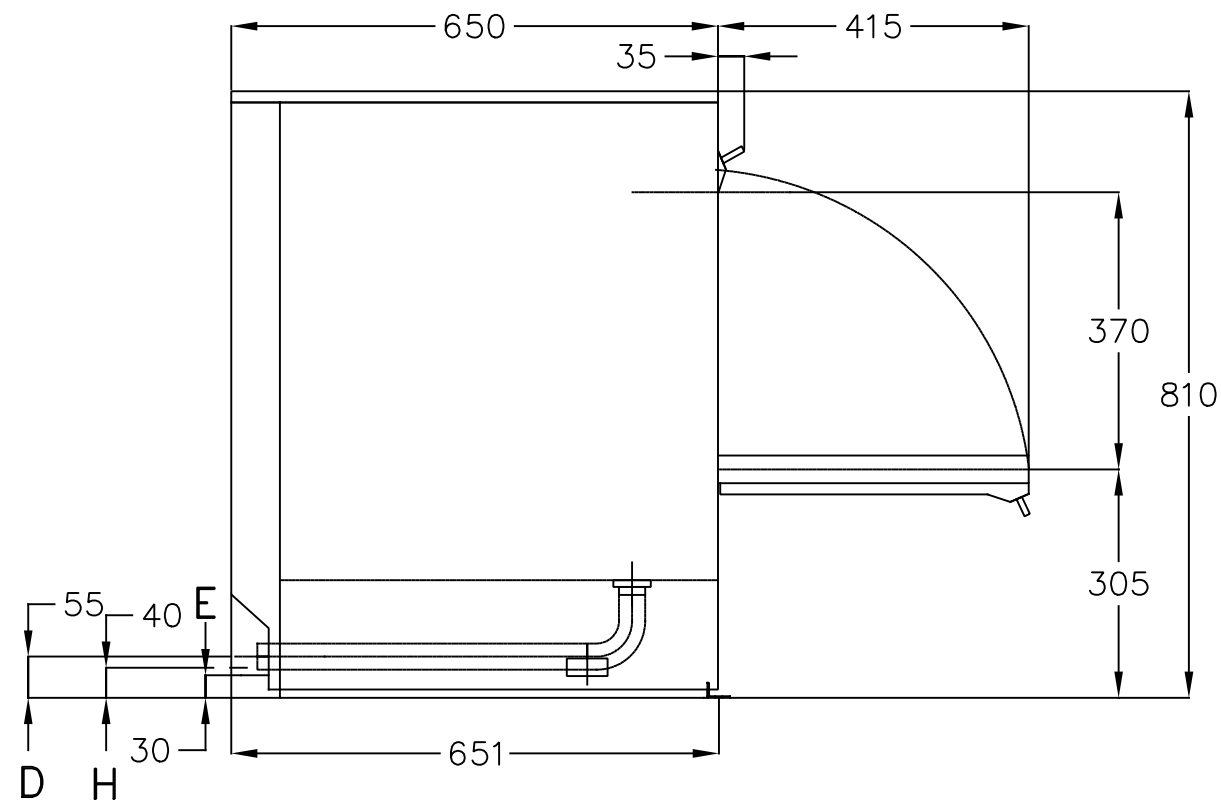


09.16

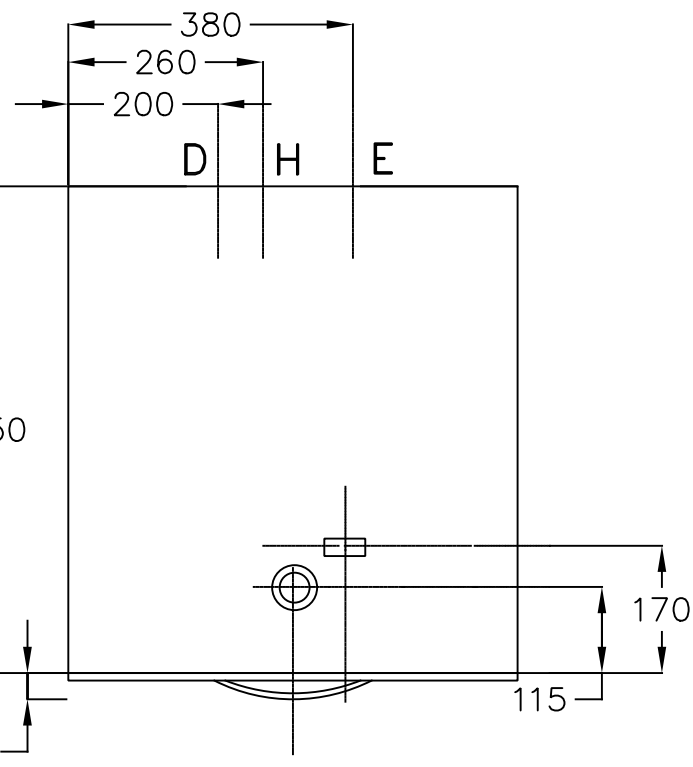
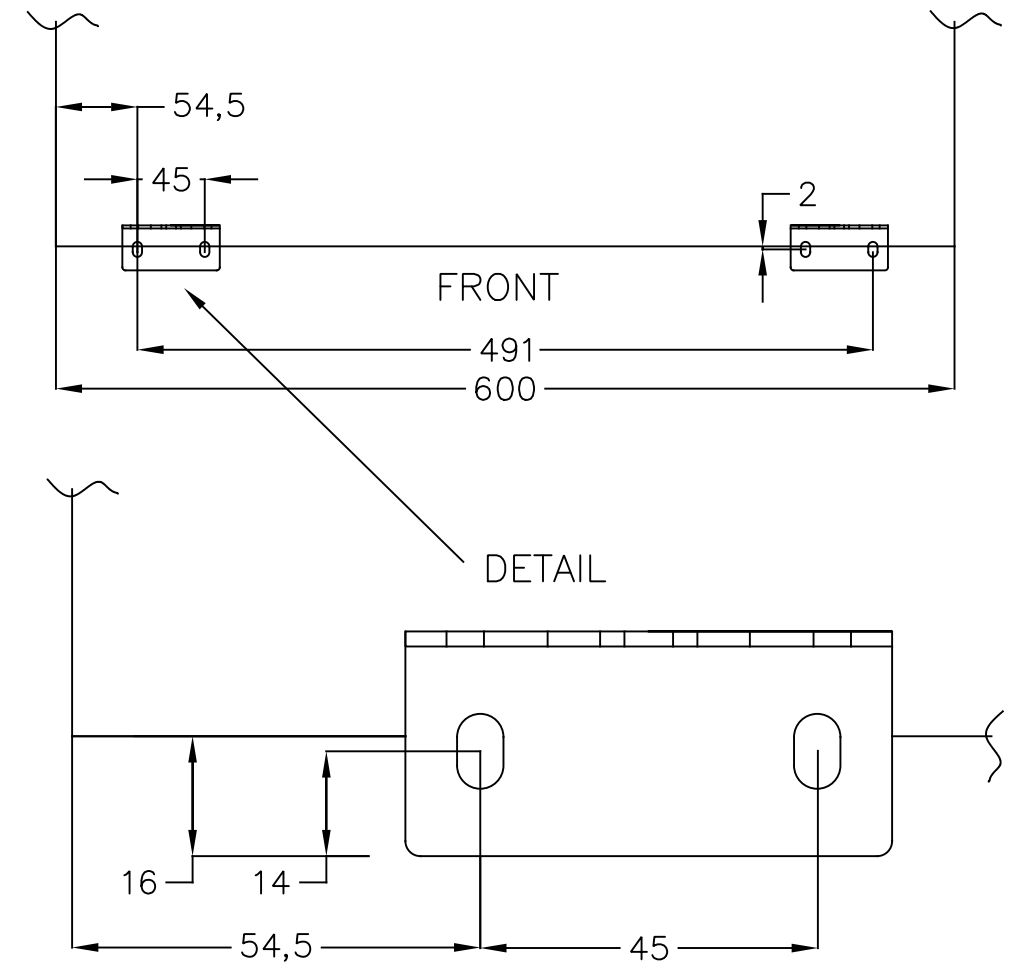
FRONT VIEW



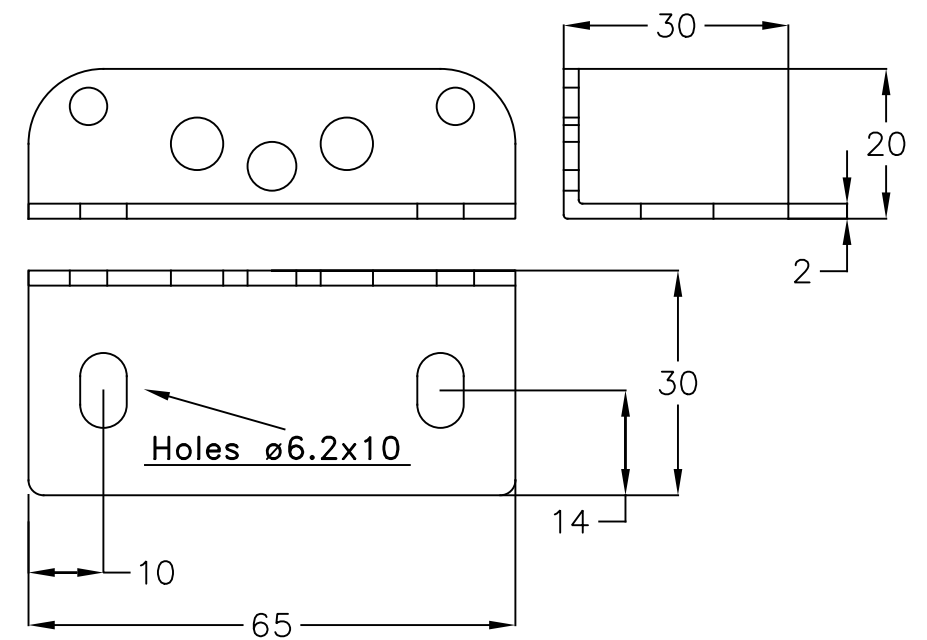
SIDE VIEW



FLOOR FASTENING



E power cable entry  
 H water inlet 55degC 3/4"  
 D drain DN32 (1 1/4")



BRACKET DETAIL

Voltage	Rated Power	Fuse	Weight
380-480/3/50-60	6,7 kW	16A	72 kg
220-240/3/50-60	6,7 kW	20A	72 kg



TECHNICAL  
 INFORMATION

DISH WASHER  
 LAMBER MF92-dy-HS

Date: 2021.11.24 Dwg.no: 402114-2