

Potato peeler: IMC VQ 3,5

Construction

The VQ bench top peelers have been designed and built to withstand repeated, long-term use, capable of providing years of reliable performance.

Their compact and flexible design, small footprint and quiet running motor enable them to be used in the smallest of kitchens whilst their simple and safe operation make them a pleasure to use.

Manufactured using high quality stainless steel and cast aluminum, the VQ peelers are extremely tough and durable.

The peeling plate has a thick grit layer for longer life and more effective peeling.



Voltages:

230V single phase 50 or 60Hz

400V 3-phase 50Hz

Options:

Pedestal

Waste collection basket

Interceptor tank

Capacity:

3,5 kg ~ output 35 kg/ hour

Use

VQ Peeler can be operated using the timer, freeing up the operator for other tasks. This provides accurate setting of the run time for up to 4 minutes.

A safety interlock that prevents the machine from running when the cylinder is removed together with the splash-proof, low voltage controls ensure complete operator safety.

Secure Cylinder Locking mechanism manufactured in aluminum - these screw-down knobs have been ergonomically designed to provide maximum comfort for the operator even when used repeatedly with wet hands.

Designed to prevent water ingress, the control is securely located to deter tampering and removal.

- EASY CLEANING
- ENERGY EFFICIENT
- SAFE OPERATION
- COMPACT DESIGN
- RECYCLABLE

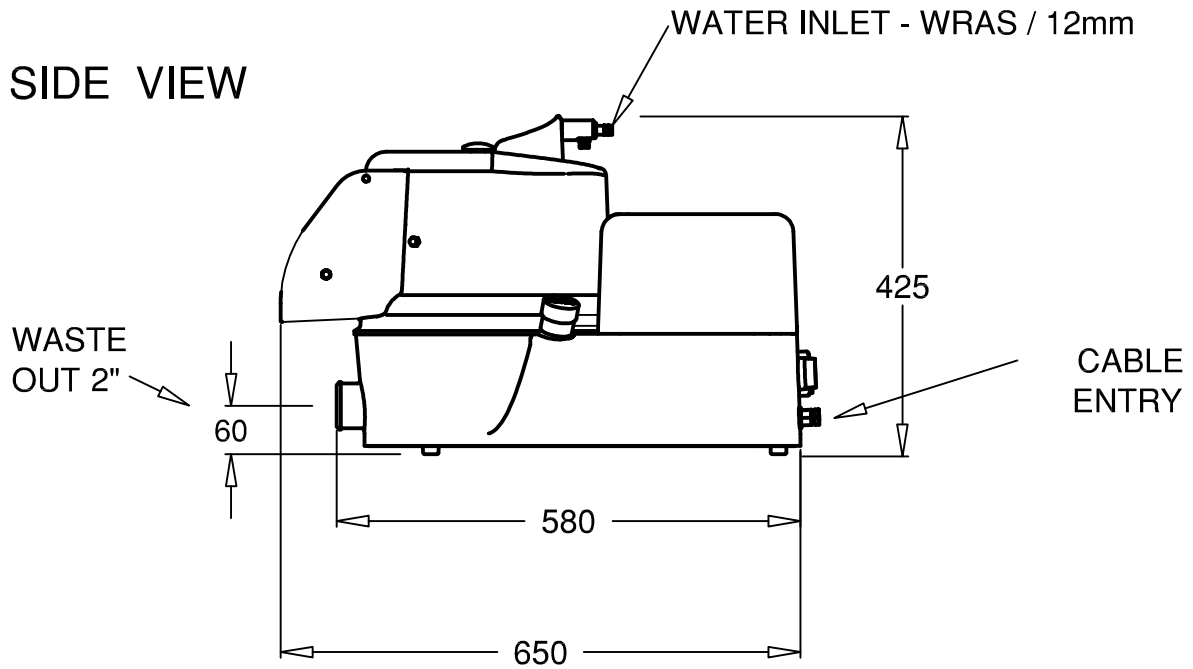


05.11

Voltage	Rated Power	Fuse size	Weight
220-240/1/50-60	0,2kW	10A	27kg

**POTATO PEELER
IMC VQ 3,5**

SIDE VIEW



TOP VIEW

