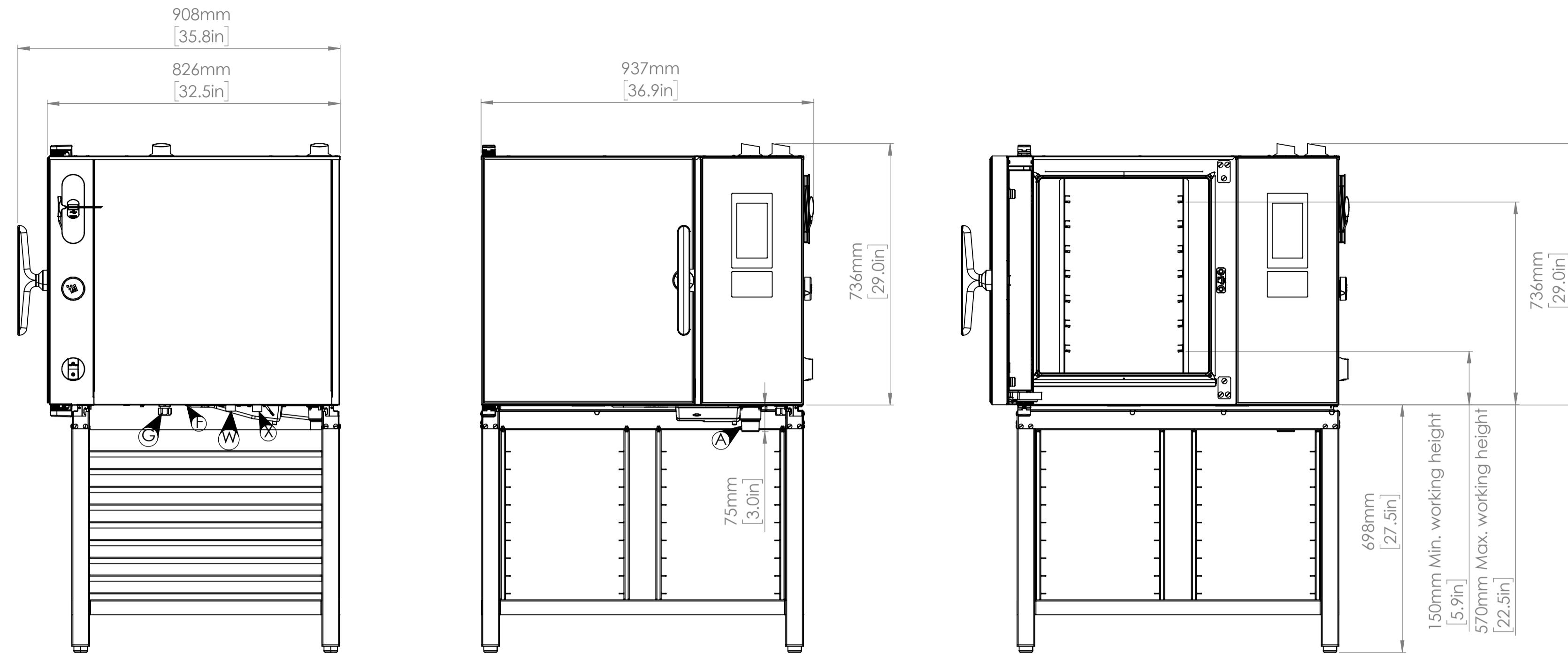
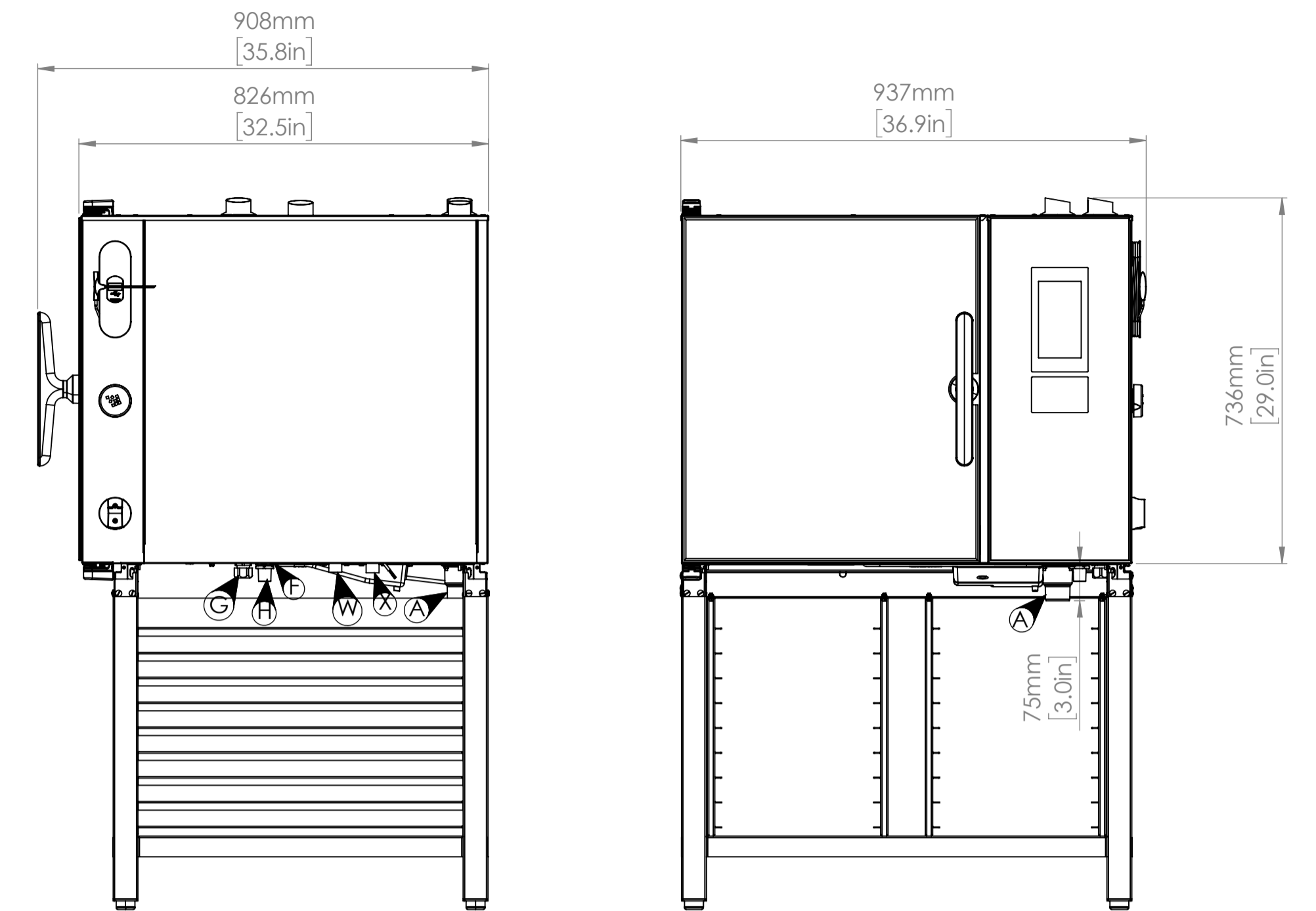


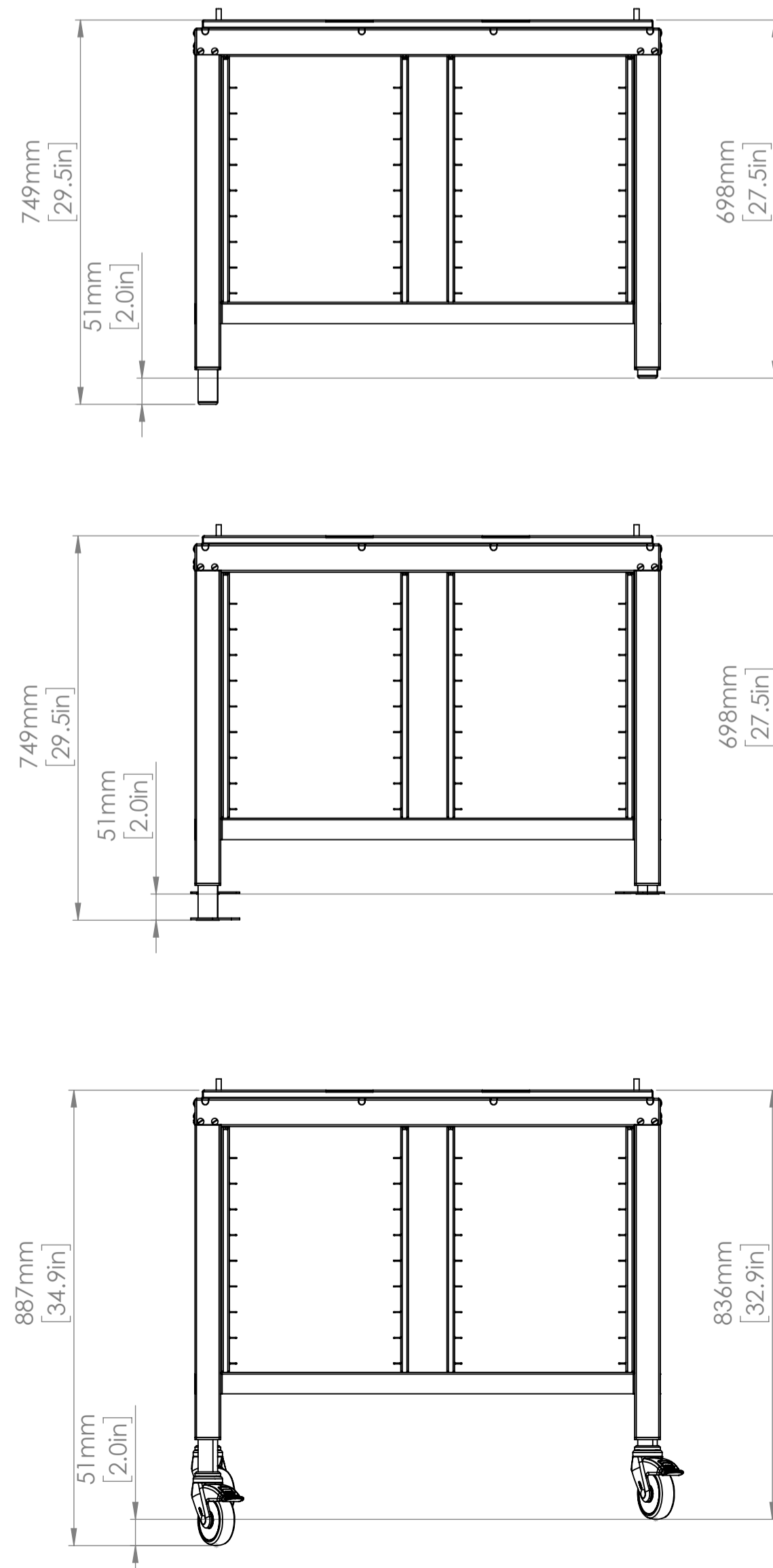
EL



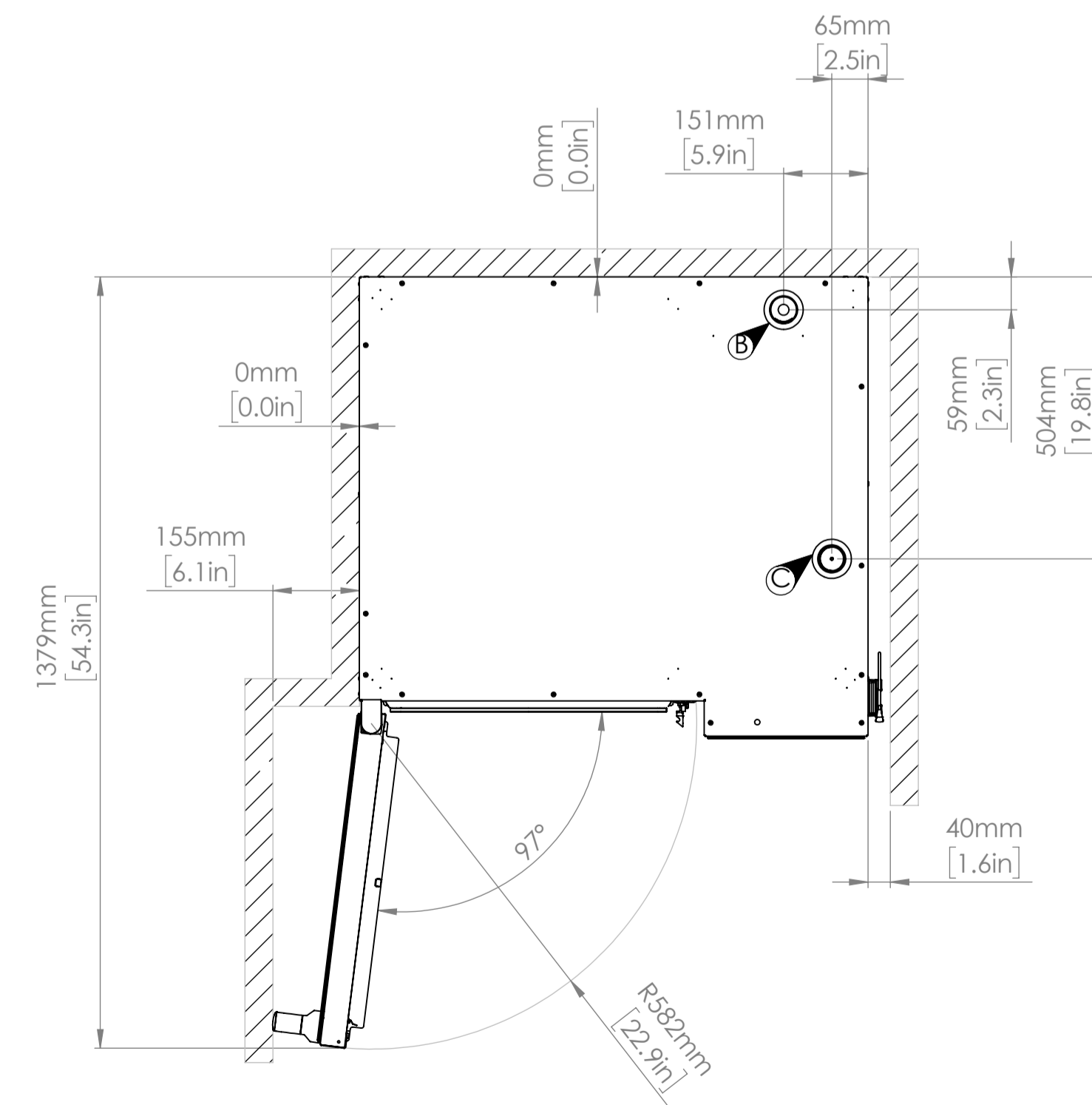
GAS



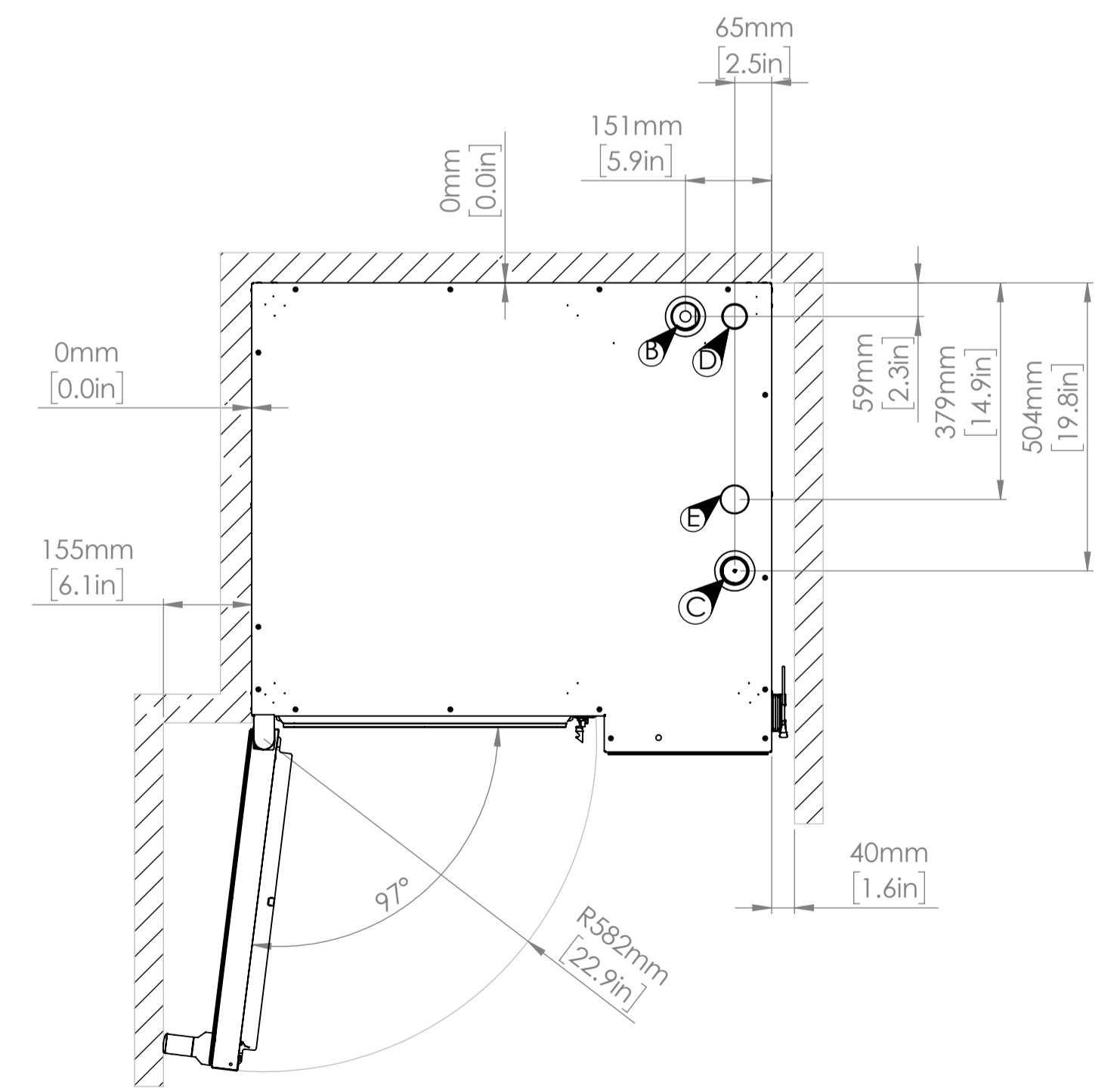
Universal



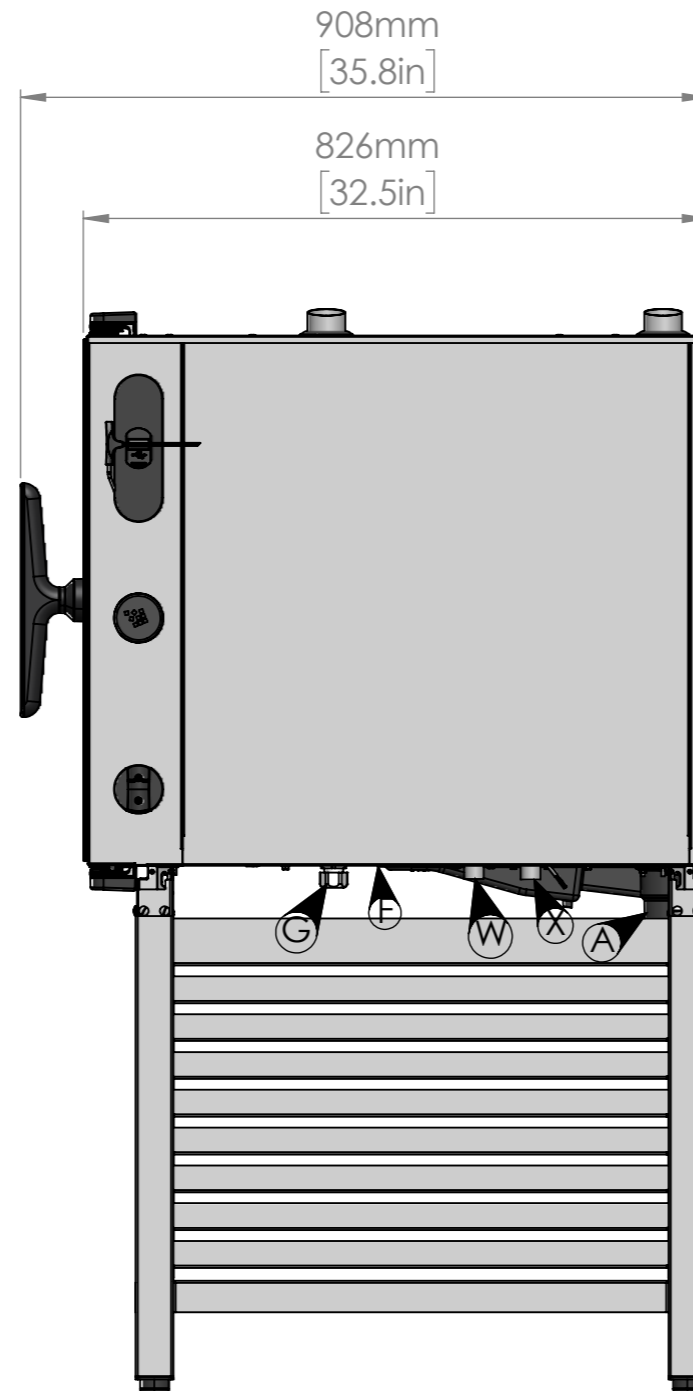
- A: Drain outlet
- B: Air outlet
- C: Air intake
- F: Ethernet connection
- G: Electrical connection
- W: Water inlet (HydroShield water filter or reverse osmosis)
- X: Water inlet



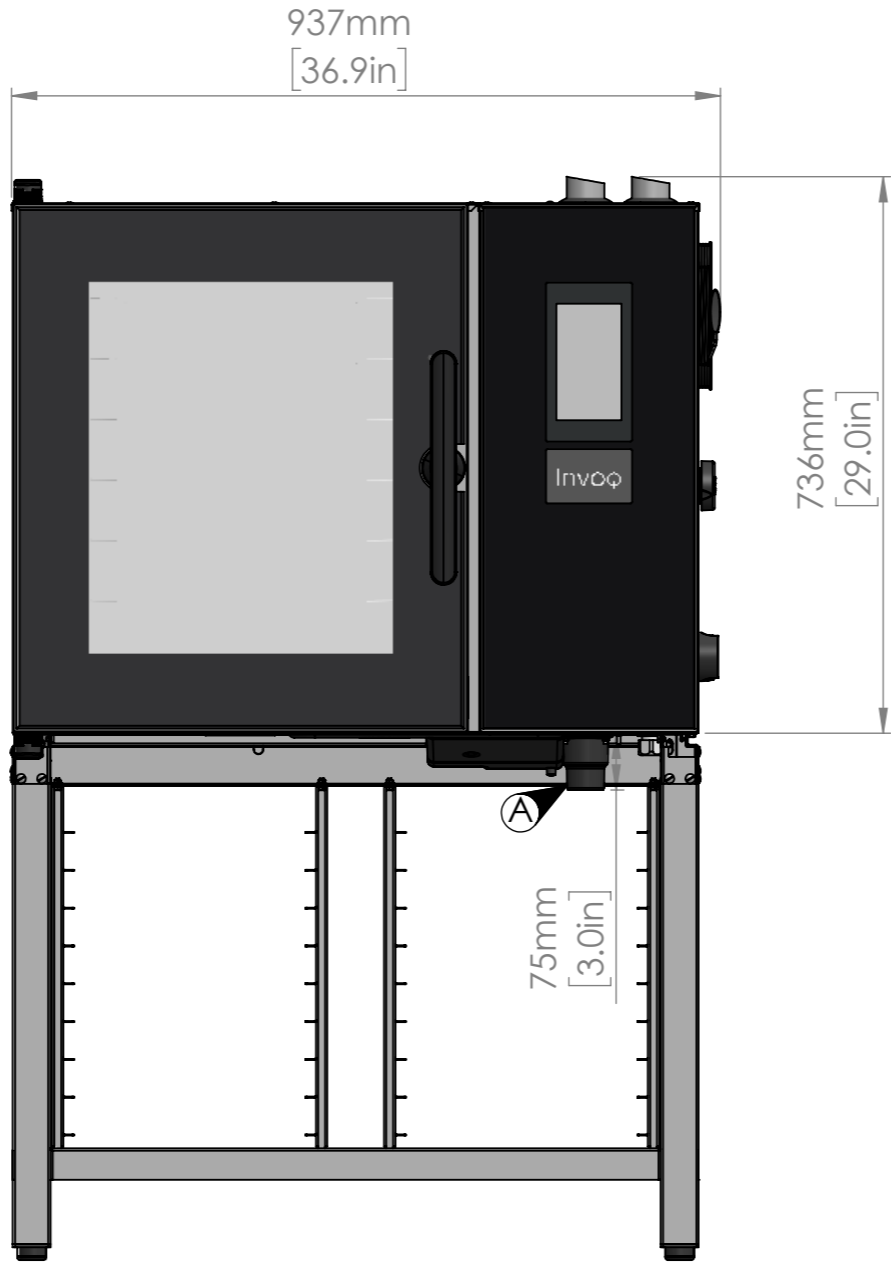
- A: Drain outlet
- B: Air outlet
- C: Air intake
- D: Gas-generator outlet
- E: Gas-heater outlet
- F: Ethernet connection
- G: Electrical connection
- H: Gas connection
- W: Water inlet (HydroShield water filter or reverse osmosis)
- X: Water inlet



- A: Drain outlet
- F: Ethernet connection
- G: Electrical connection
- W: Water inlet (HydroShield water filter or reverse osmosis)
- X: Water inlet

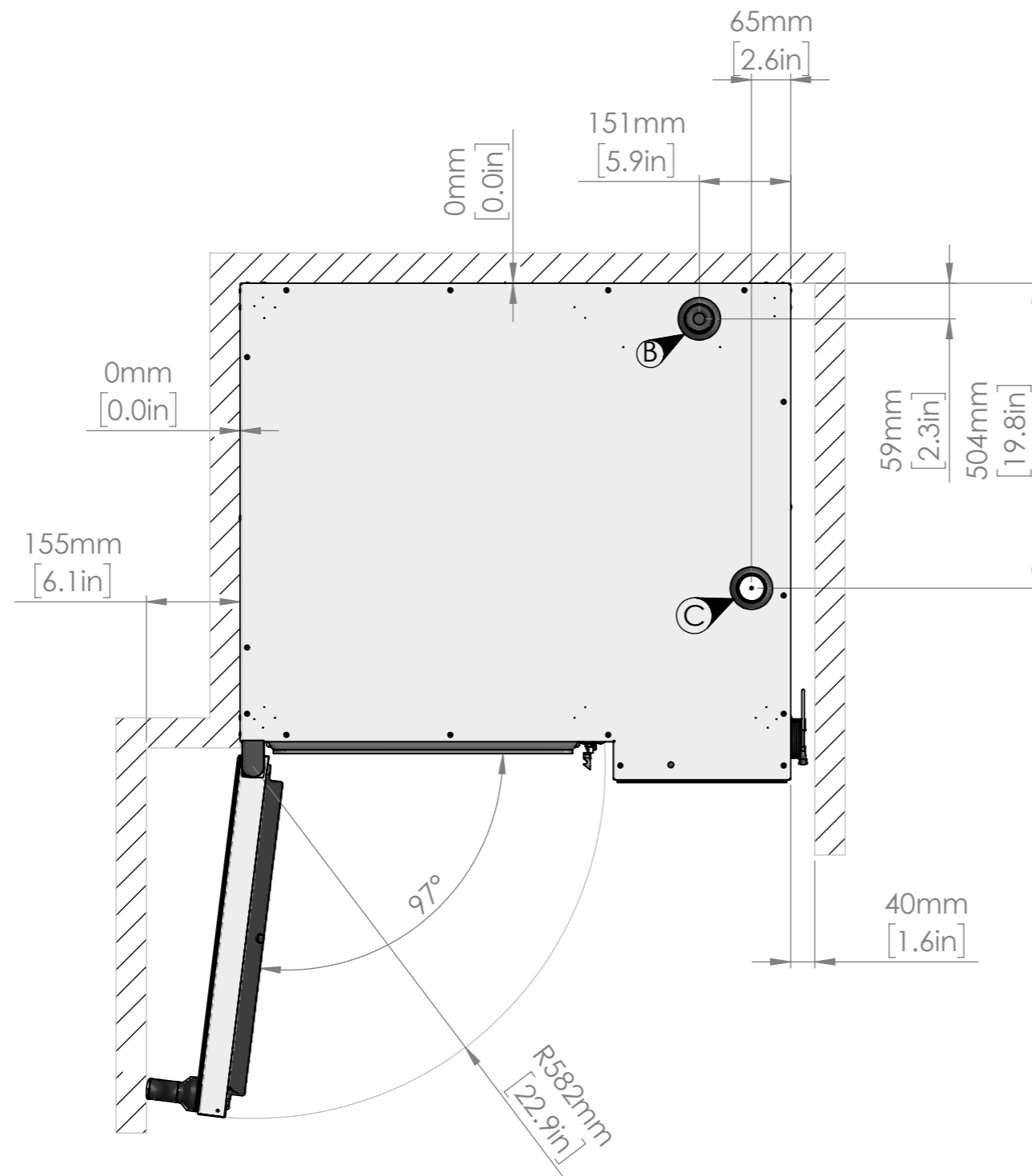


A: Drain outlet

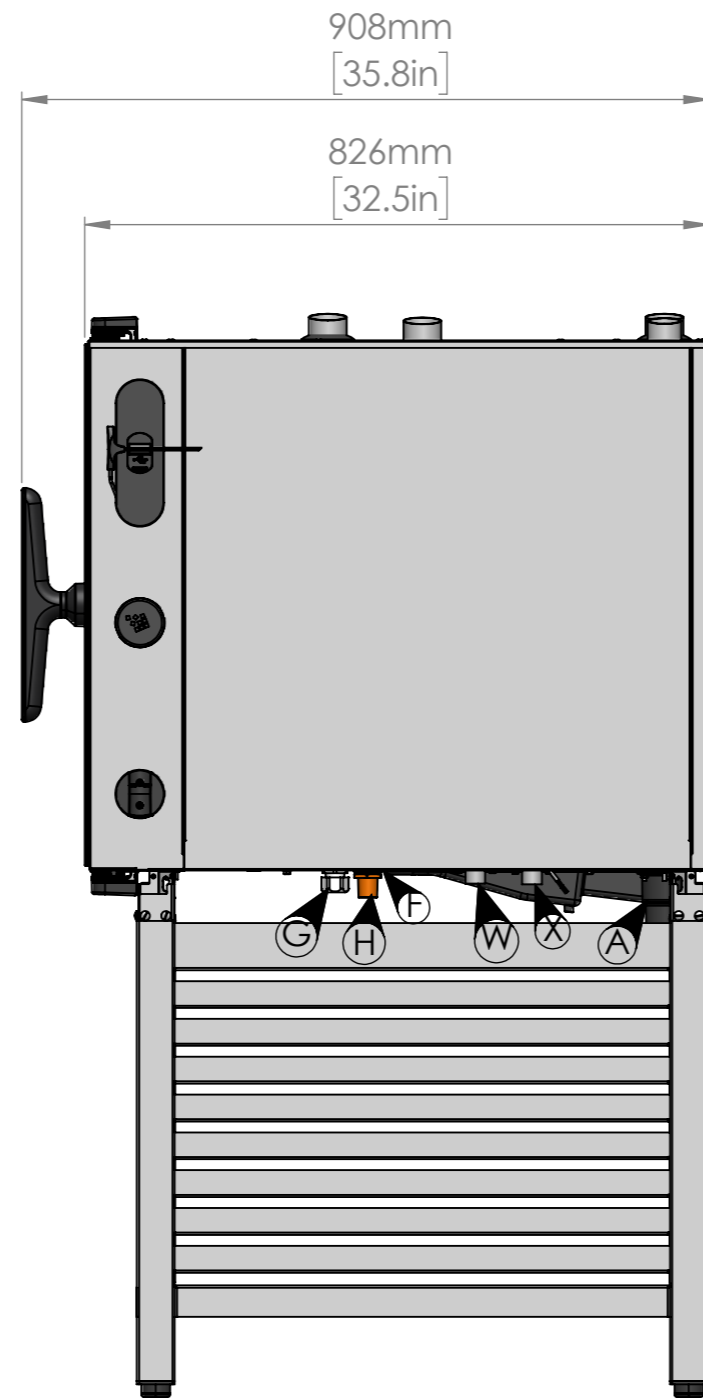


B: Air outlet

C: Air intake



GAS



A: Drain outlet

F: Ethernet connection

G: Electrical connection

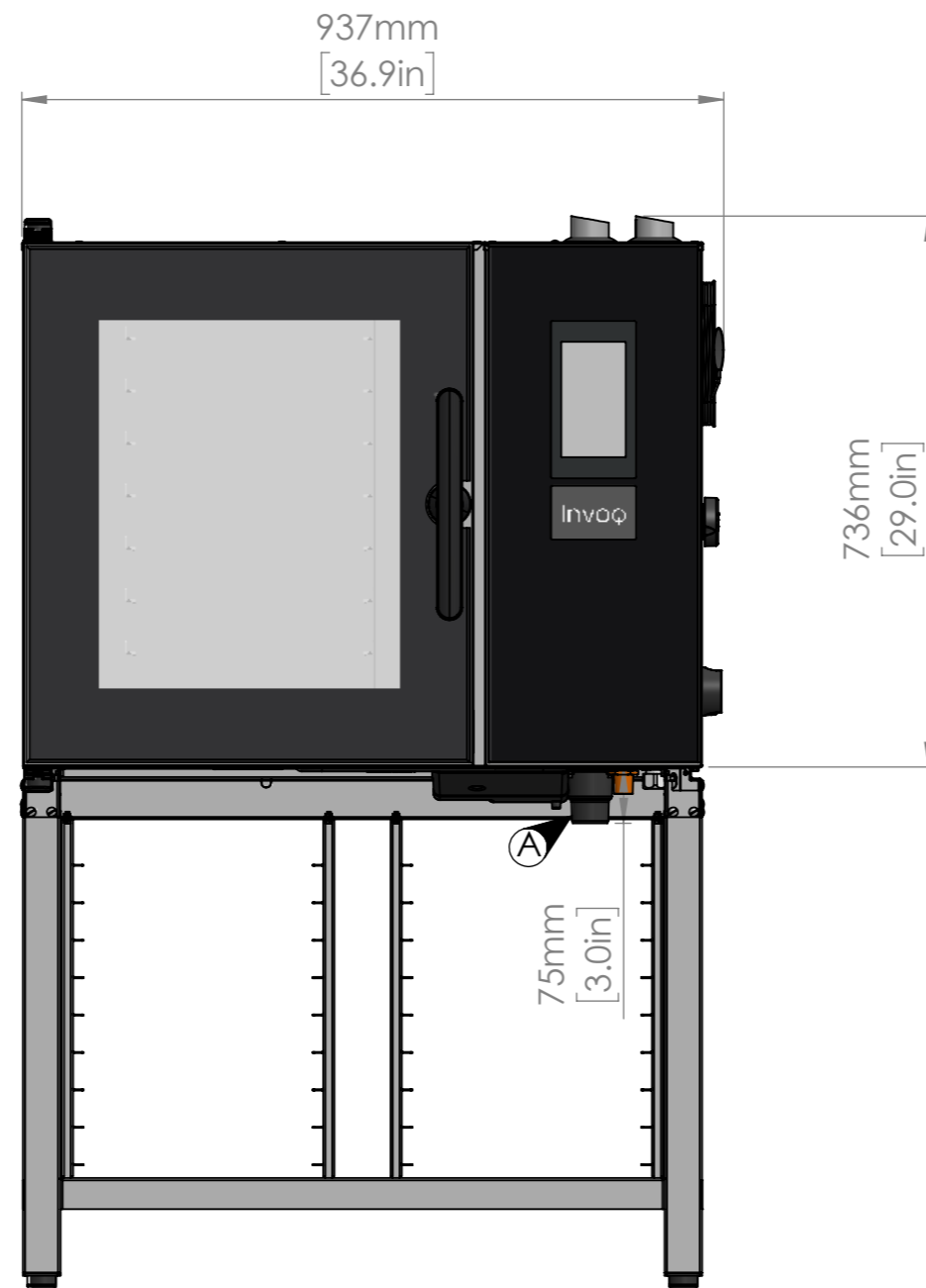
H: Gas connection

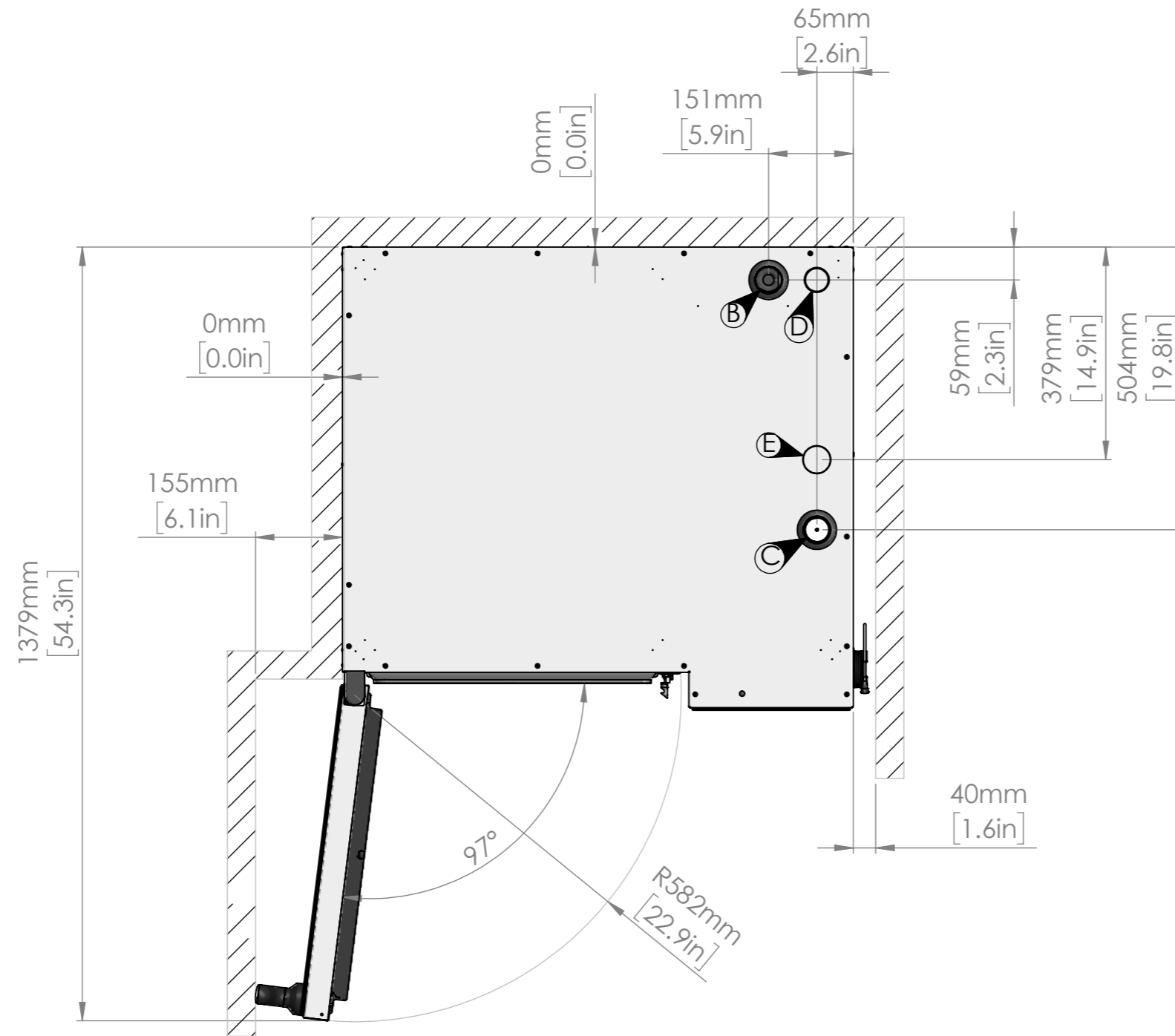
W: Water inlet (HydroShield water filter or reverse osmosis)

X: Water inlet

GAS

A: Drain outlet





- B: Air outlet
- C: Air intake
- D: Gas-generator outlet
- E: Gas-heater outlet