

# Coffee Machines: Bonamat RLX Marine

## Construction

Available with single or double brewing system and a separate hot water section. Self regulating hot plates and rolling bars for each coffee decanter. Stainless steel decanters, filter pan and housing. Connection to the mains water supply. Digital display with touch button control. It is recommended to connect the overflow hose to drain.



**RLX 31**

## Use

The RLX-series brews coffee direct into decanter(s) and is also equipped with separate hot water tap. The perfect model for coffee counter, bar or buffet. Safety and user friendly design featuring "coffee-is-ready" signal and descaling signal. Easy cleaning and low maintenance



**RLX 231**

Voltages: 220-240V single phase 50 or 60Hz

### Accessories (included):

- Rolling bars for decanter(s)
- Marine fastening brackets
- Filter holder(s)

### Options:

- Additional decanters
- Filter paper
- Renegite for descaling
- Cleaner for through cleaning

### Capacity:

RLX 31: Throughput/hour coffee = 15 litres (120 cups)  
Throughput/hour hot water = 18 litres

RLX 231: Throughput/hour coffee = 30 litres (240 cups)  
Throughput/hour hot water = 18 litres

10.18

*Note: Pictures show land model with glass decanters and no rolling bars.*

▪ EASY CLEANING

▪ ENERGY SAVING

▪ SAFE OPERATION

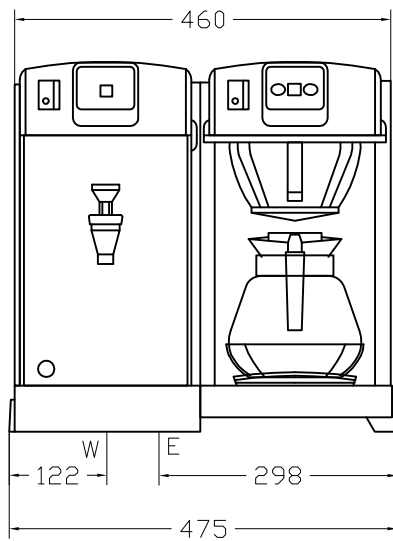
▪ HIGH CAPACITY

▪ RECYCLABLE

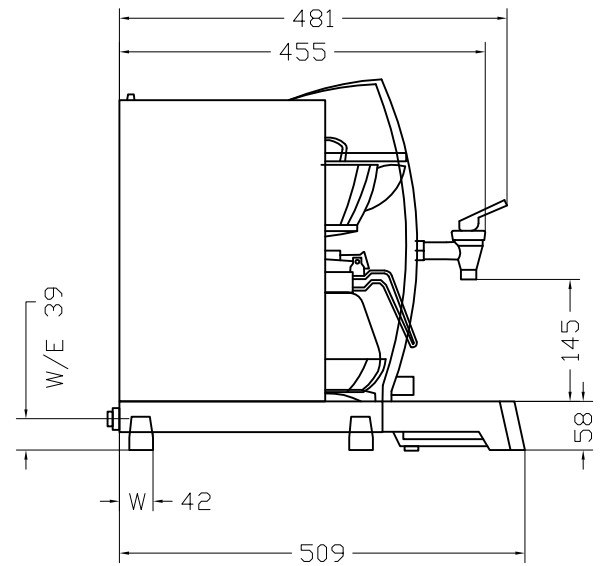
Voltage	Rated Power	Current	Weight
220-240/1/50-60	2,1kW	9,5A	18kg

COFFEE MACHINE  
BONAMAT RLX31M

FRONT VIEW



LEFT VIEW



Equipped with 1.5m cable

BOTTOM VIEW

