

Coffee Machines: Bonamat Mondo / Matic Marine

Construction

Modern design and a durable construction with an optimal combination of stainless steel and plastic.

Single or twin coffee brewing machines with self regulating hot plates and rolling bars for each coffee decanter.

Stainless steel filter pan and housing.

Digital display with touch button control.

Connection to the mains water supply (Matic version)



Mondo 2M
Matic 2M

Power supply:

Voltages: 220-240V 1ph 50/60Hz

Accessories (included):

- Rolling bars for decanter(s)
- Marine fastening brackets
- Filter holder(s)

Options:

- Additional decanters
- Stainless steel tea filter pan
- Filter paper
- Renegite for descaling
- Cleaner for through cleaning

Capacity:

Mondo 2M: Throughput/hour = 18 litres (144 cups)

Matic 2M: Throughput/hour = 15 litres (120 cups)

Mondo Twin M: Throughput/hour = 28 litres (224 cups)

Matic Twin M: Throughput/hour = 24 litres (192 cups)

09.16

Use

The Mondo / Matic series brews coffee direct into decanter(s) and is also equipped with a hotplate at the top for an extra decanter.

The self-regulating hot plates will re-adjust the temperature according to the amount of coffee in the decanter.

Safety and user friendly design featuring "coffee-is-ready" signal and descaling signal.

Easy cleaning and low maintenance



Mondo Twin M
Matic Twin M

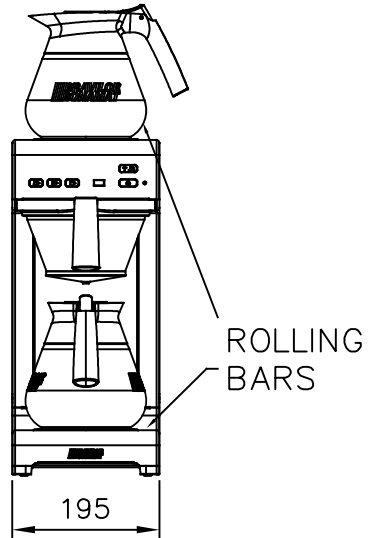
- EASY CLEANING
- ENERGY EFFICIENT
- SAFE OPERATION
- HIGH CAPACITY
- RECYCLABLE



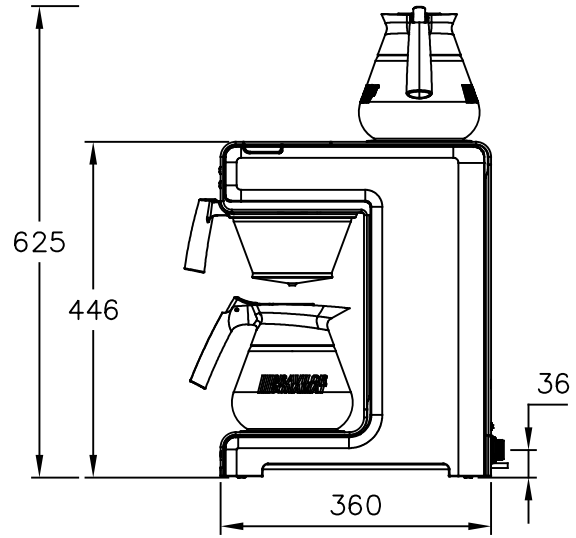
Voltage	Rated Power	Current	Weight
230/1/60	2.145 kW	9,3A	7,8kg

COFFEE MACHINE
BONAMAT MATIC 2M

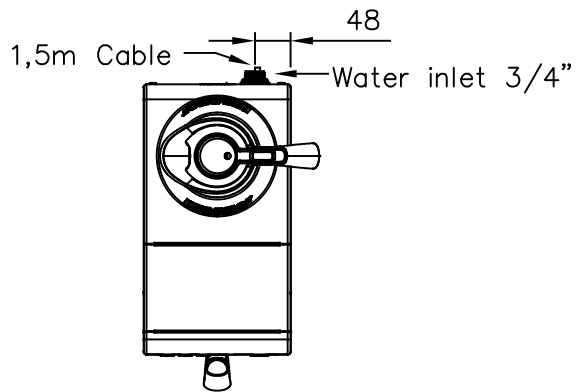
FRONT VIEW



LEFT VIEW



TOP VIEW



BOTTOM VIEW

