

Cooking Range : Beha M31



Beha M31 is a traditional electrical cooking range, designed for rough use and a long lifetime. The range top is made from heavy casted iron and will not be affected by high temperature. It is composed of 2 top-halves, available in different combinations. All panels are made from stainless steel. Switch panels are placed on a slant and the front becomes somewhat recessed for protection of the switch buttons and door handle. The oven lining is made from steel with rounded corners for easy cleaning. Oven heating elements are placed on the outside of the oven top and bottom. The oven door is counter balanced and self closing.

The M31 cooking range offers a flexible solution for all cooking requirements with different cooking tops depending on use / customer's request. Cooking ranges may be placed back-to-back or side by side, forming a unit of any desired size and capacity. Additional table halves can be fitted on each side of the range.



Power supply: Voltage 230/400/440V-3phase
Other voltages on request
Rated power 13,4 – 16,4 kW

Accessories: Rolling bars
1 Pan, 2 Shelves, 1 Grid

Options: Guardrails

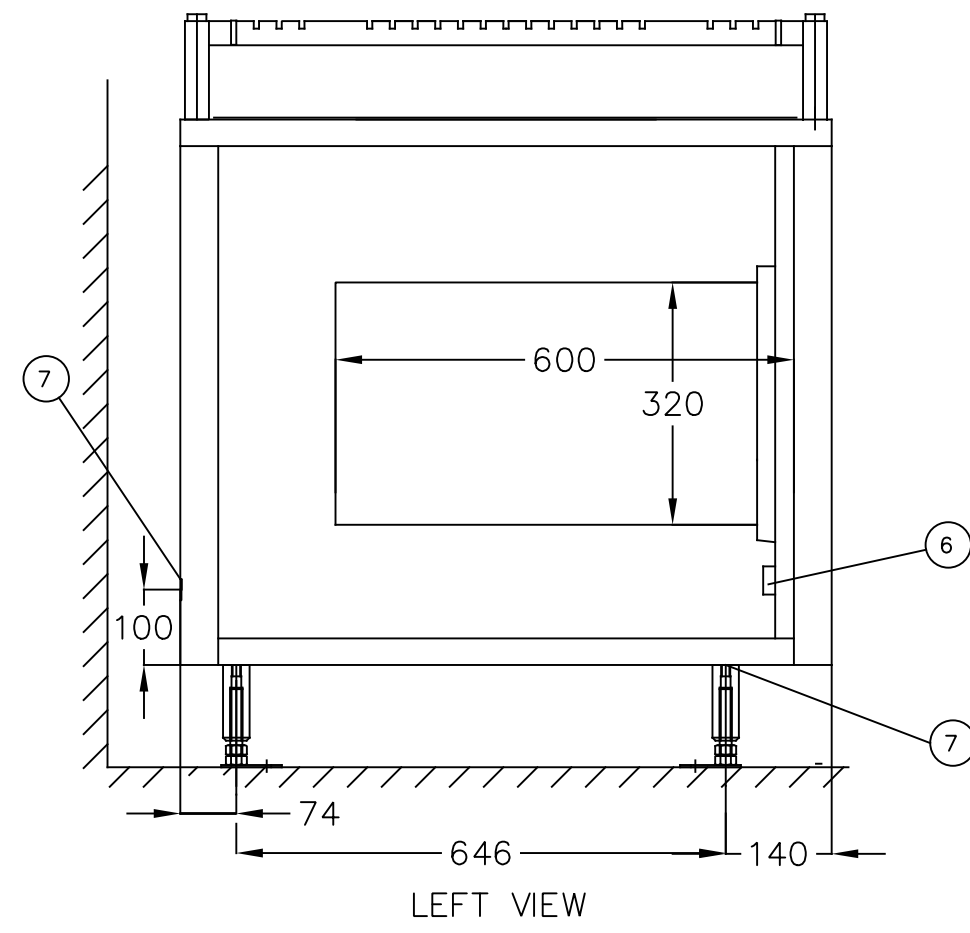
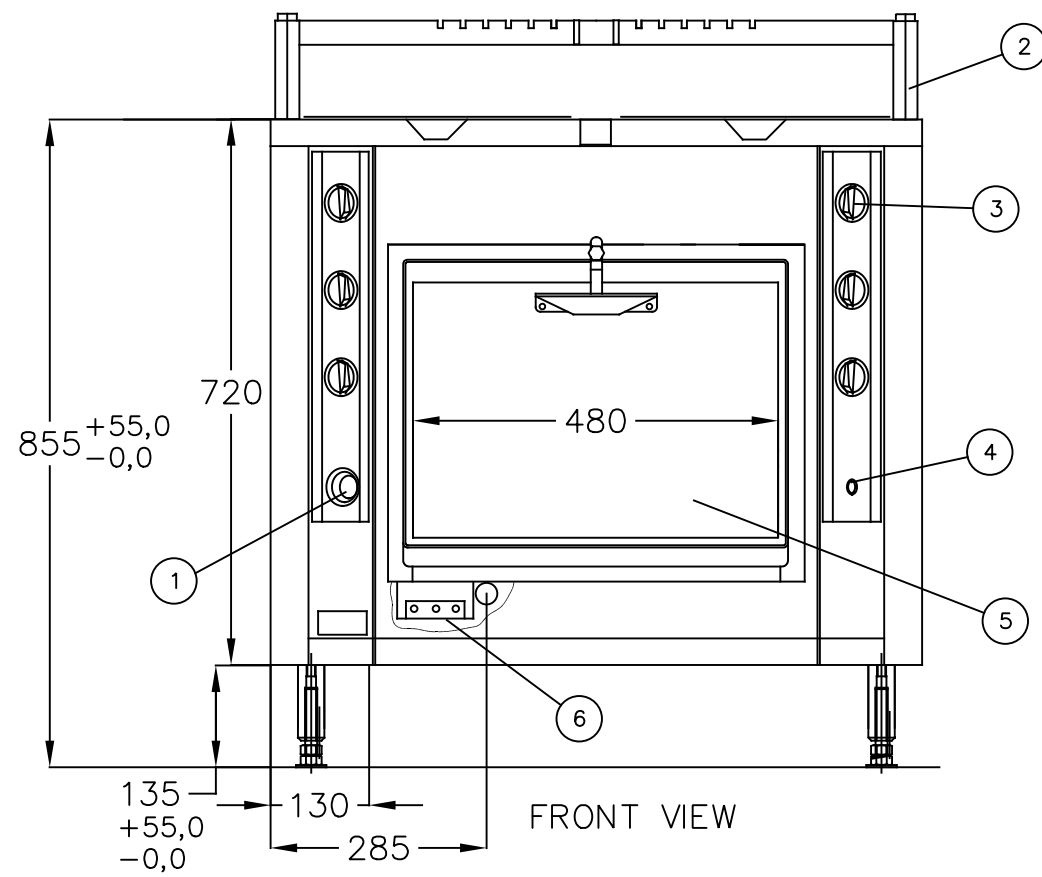
The picture show M31AB.
Available tops; A, B and D.
Tops B and D can also be delivered as griddle versions.

10.21

TECHNICAL DATA SHEET- BEHA GALLEY RANGE M31

Height:	850 mm (+ 40 mm adjustable) 980 mm (+ 40 mm adjustable – w/rolling bars)
Width:	860 mm
Depth:	860 mm
Net weight:	220 kgs
Electrical connection:	Connection via terminal blocks in chassis Terminal size 16 mm ²
Ingress protection:	IP 44

ELECTRICAL DATA				
MODEL	RATED POWER	SUPPLY VOLTAGE	REC. FUSE	WIRING DIAGRAM
M31AA	13.4 kW	220-240V/3ph/50-60Hz	40A	M31AA-810C
		380-415V/3ph/50-60Hz	25A	
		440V/3ph/50-60Hz	20A	
		460-480V/3ph/50-60Hz	20A	M31AA-815C
M31AB/BA	13.4 kW	220-240V/3ph/50-60Hz	40A	M31AB-810C
		380-415V/3ph/50-60Hz	25A	
		440V/3ph/50-60Hz	20A	
		460-480V/3ph/50-60Hz	20A	M31AB-815C
M31AD/DA	14.9 kW	220-240V/3ph/50-60Hz	40A	M31AD-810C
		380-415V/3ph/50-60Hz	25A	
		440V/3ph/50-60Hz	20A	
		460-480V/3ph/50-60Hz	20A	M31AD-815C
M31BB	13.4 kW	220-240V/3ph/50-60Hz	40A	M31BB-810A
		380-415V/3ph/50-60Hz	25A	
		440V/3ph/50-60Hz	20A	
		460-480V/3ph/50-60Hz	20A	M31BB-815A
M31BD/DB	14.9 kW	220-240V/3ph/50-60Hz	40A	M31BD-810B
		380-415V/3ph/50-60Hz	25A	
		440V/3ph/50-60Hz	20A	
		460-480V/3ph/50-60Hz	20A	M31BD-815B
M31DD	16.4 kW	220-240V/3ph/50-60Hz	50A	M31DD-810C
		380-415V/3ph/50-60Hz	25A	
		440V/3ph/50-60Hz	25A	
		480V/3ph/50-60Hz	20A	M31DD-815B



- 1 THERMOSTAT
- 2 ROLLING BARS
- 3 SWITCH
- 4 SIGNAL LAMP
- 5 DOOR
- 6 MAIN TERMINAL BLOCK
- 7 ALTERNATIVE CABLE ENTRIES $\varnothing 28,5$ (PG21)

