

# Frying Pan: Beha 5610

## Design/Construction

Beha's largest frying pan has a frying area of 60x94 cm and 10 cm depth  
Energy controller and electrical tilting as a standard. All exterior panels, lid and switch panel are made of stainless steel AISI 304 (18/8).  
The pan is made of high quality hot rolled steel to obtain excellent heat distribution.

## Use

The control panel is mounted on the side to obtain maximum safety for the user during operation.  
Regular use of vegetable oil on the frying pan will keep it in good shape for many years.  
It is recommended to have a well in the front of the frying pan



### Power supply

Voltage: 230/400/440V-3phase  
Other voltages on request

### Capacity

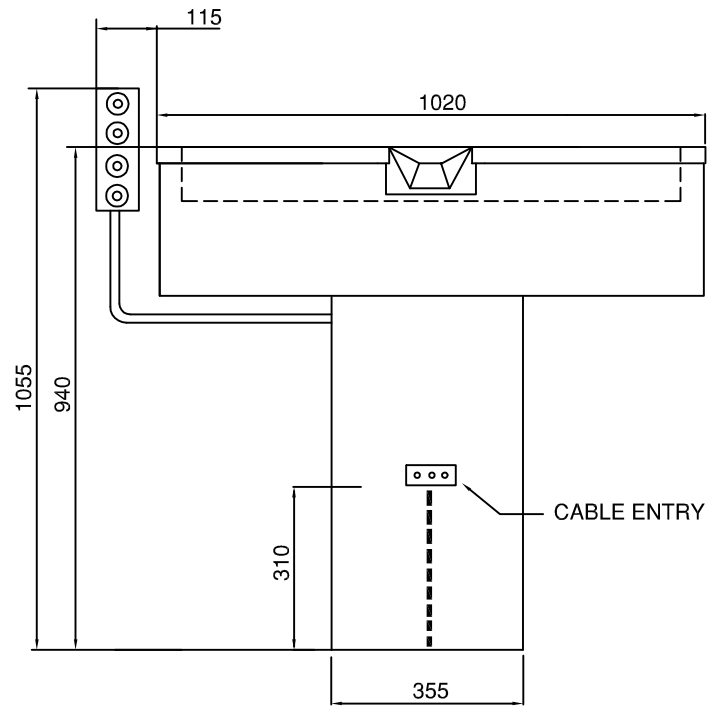
Frying area 600 x 940 mm

- EASY CLEANING
- HIGH CAPACITY
- SUPERB RESULTS
- RECYCLABLE

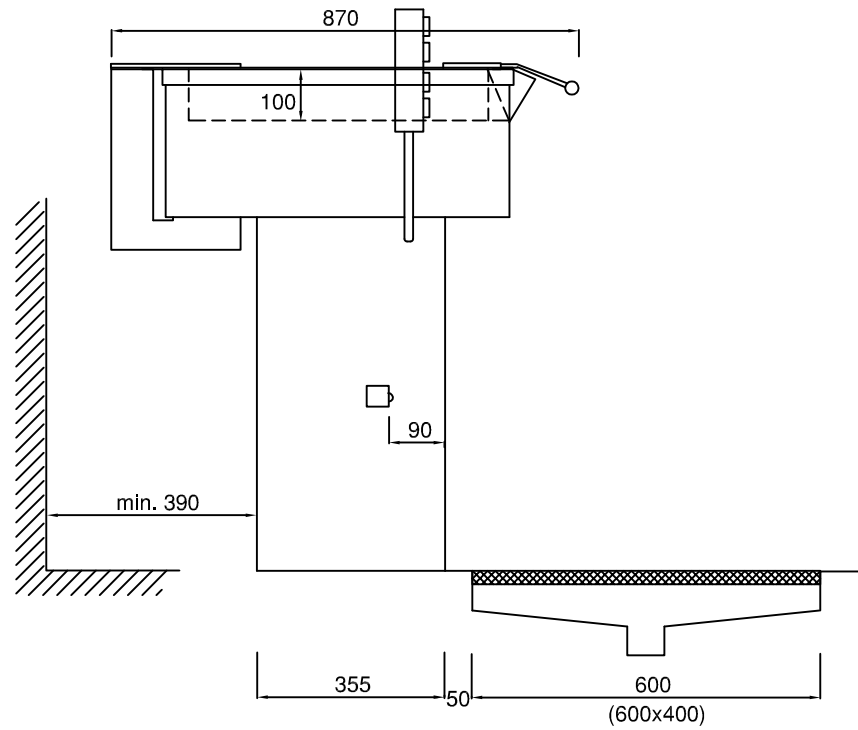


09.11

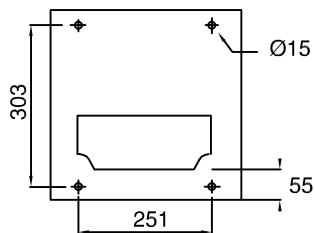
# FRONT VIEW



# LEFT VIEW



# TOP VIEW - FLOOR FASTENING



www.beha-hedo.com

Voltage	Rated Power	Fuse	Weight
440/3/60	13,5 kW	25A	150 kg



TECHNICAL  
SPECIFICATION

FRYING PAN  
BEHA 5610

Date: 2016.10.17

Dwg: 118564