

Baking / Roasting oven: Beha M20 / M32

Construction

The Beha ovens are made of stainless steel. The heating elements are placed on the outer side of oven lining, one in the bottom and one at the top.

The temperature thermostat controlled with range from 75 – 300°C.

A special device is provided to keep the door locked when installed on board a ship.



Use

The baking oven is ideal for baking bread, cakes, puddings etc.

The roasting oven is intended for roasting steaks etc.

Independent section ovens enable you to build any combination you may require.

A combination of two baking ovens and one roasting oven is a very common and



Power supply:

Voltage 230/400/440V-3phase

Other voltages on request

Accessories:

2 roasting pans

6 shelves in high quality steel.

Options:

100 cm stand w/ 2 shelves

50 cm stand w/ 1 shelf

25 cm stand

Pans/shelves in stainless steel

- EASY CLEANING
- HIGH CAPACITY
- SUPERB RESULTS
- RECYCLABLE

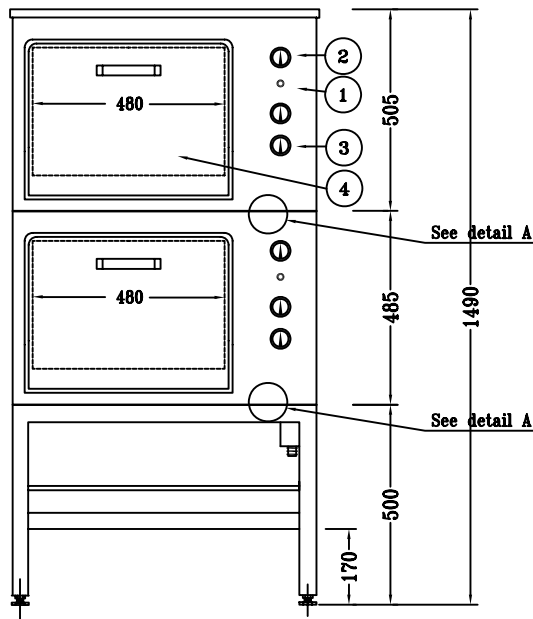


01.11

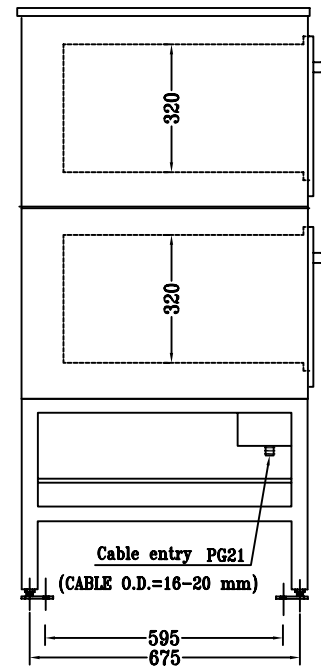
Voltage	Rated Power	Recommended fuse	Weight
440/3/60	8,8kW	16A	190kg

ROASTING OVEN
BEHA 32M+32M+50

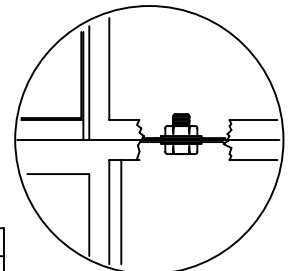
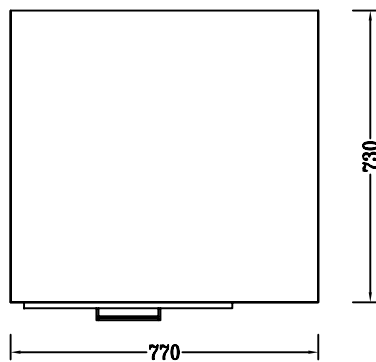
FRONT VIEW



LEFT VIEW



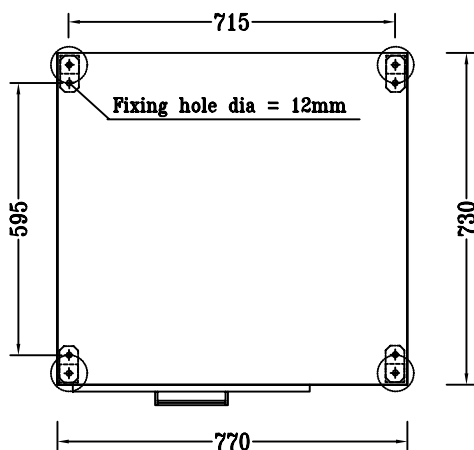
TOP VIEW



Detail A
(Fastening detail)

1	SIGNAL LAMP
2	THERMOSTAT
3	SWITCH
4	DOOR

BOTTOM VIEW



FLOOR FASTENING DETAIL

