

# Baking / Roasting oven: Beha M20 / M32

## Construction

The Beha ovens are made of stainless steel. The heating elements are placed on the outer side of oven lining, one in the bottom and one at the top.

The temperature thermostat controlled with range from 75 – 300°C.

A special device is provided to keep the door locked when installed on board a ship.



## Use

The baking oven is ideal for baking bread, cakes, puddings etc.

The roasting oven is intended for roasting steaks etc.

Independent section ovens enable you to build any combination you may require.

A combination of two baking ovens and one roasting oven is a very common and



### Power supply:

Voltage 230/400/440V-3phase

Other voltages on request

### Accessories:

2 roasting pans

6 shelves in high quality steel.

### Options:

100 cm stand w/ 2 shelves

50 cm stand w/ 1 shelf

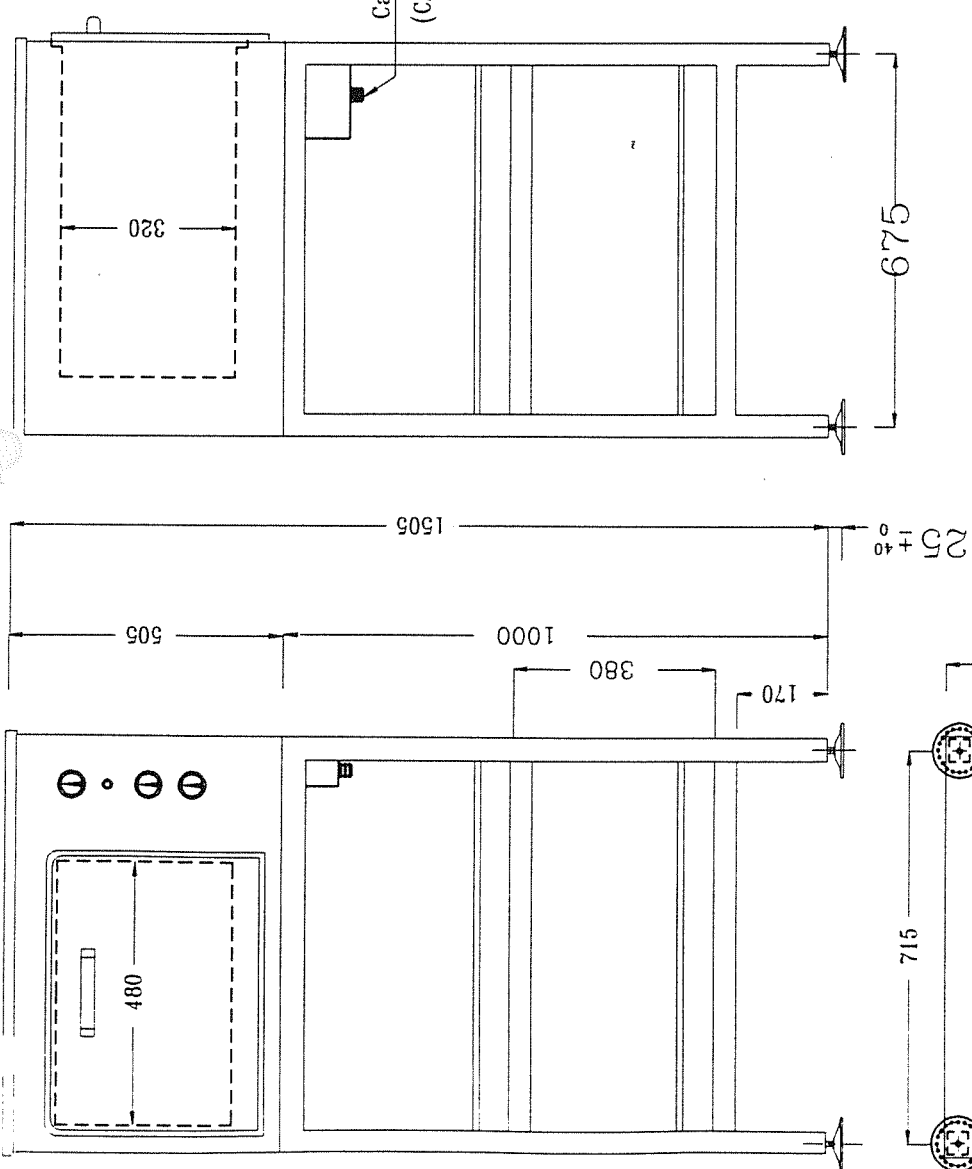
25 cm stand

Pans/shelves in stainless steel

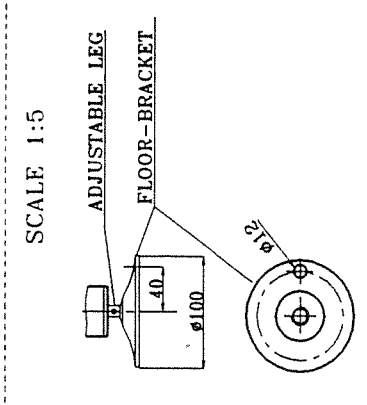
- EASY CLEANING
- HIGH CAPACITY
- SUPERB RESULTS
- RECYCLABLE



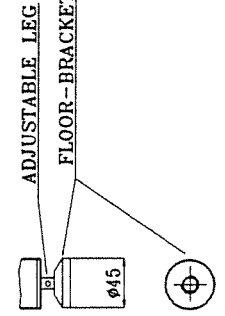
01.11



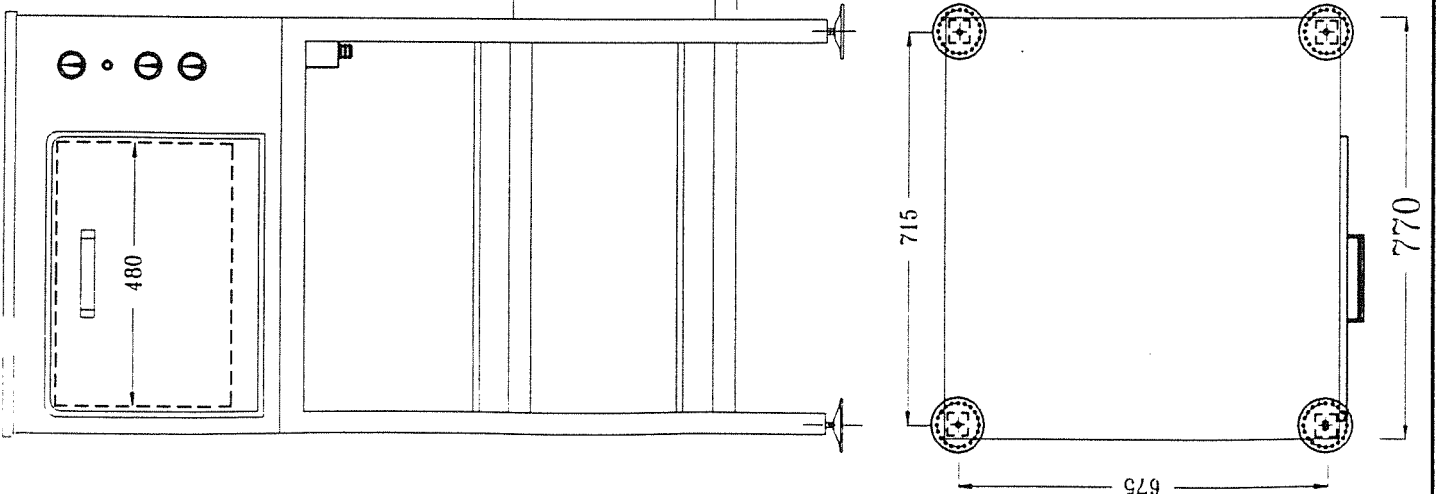
Cable entry PG21  
(CABLE O.D. = 16-20 mm)



FLOOR FASTENING DETAIL



FLOOR FASTENING DETAIL FOR WELDING  
AVAILABLE ON REQUEST



Rev.	Change	Date	Sign.	Date	290999	Const./Drawn	Appr.	Scale	
					GWN	GWN	1:10		
<b>ROASTING OVEN 32 W/1000MM STAND</b>									
Reference:								Replaced by:	
								32+100-8010	
Calculations:									