

Frying Pan: Beha 3140 KSL

Construction

This pan is made of solid cast iron and 3 heating elements working together with the cast iron ensures a perfect heat distribution. Easy tilting by handle with locking device for securing the pan in position. The lid is made of 18/8 stainless steel and can be kept in an open position by means of spring-loaded hinges.

Use

The power output is controlled by an energy regulator. Regular use of vegetable oil at the frying surface will keep it in good shape for many years. It is recommended to have a well in the front of the frying pan.



Power supply

Voltage: 230/400/440V-3phase
Other voltages on request

Capacity

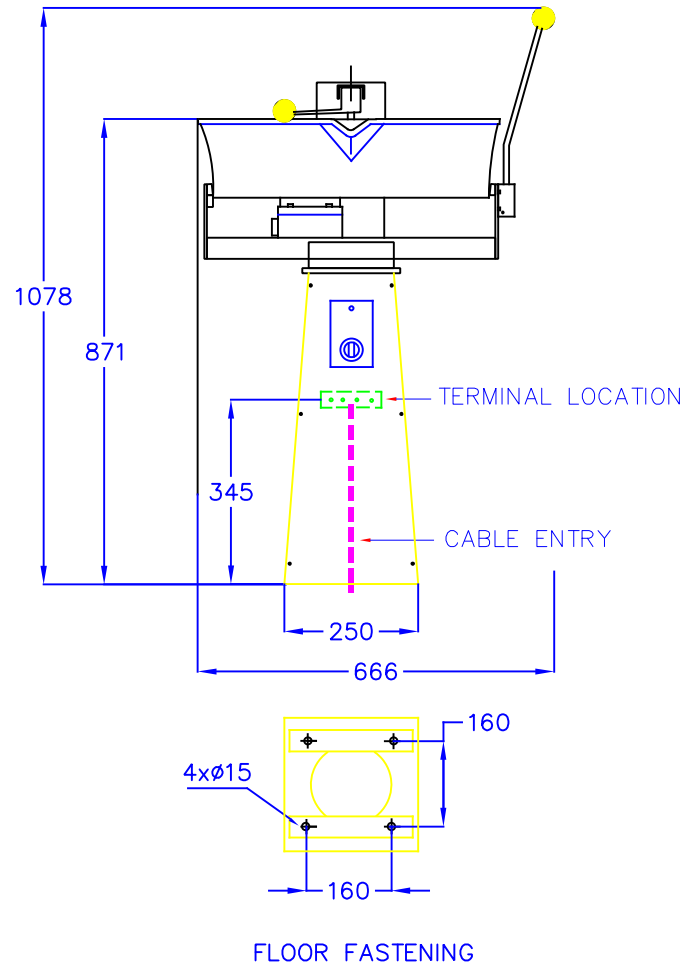
Frying area Ø=500mm

- EASY CLEANING
- HIGH CAPACITY
- SUPERB RESULTS
- RECYCLABLE

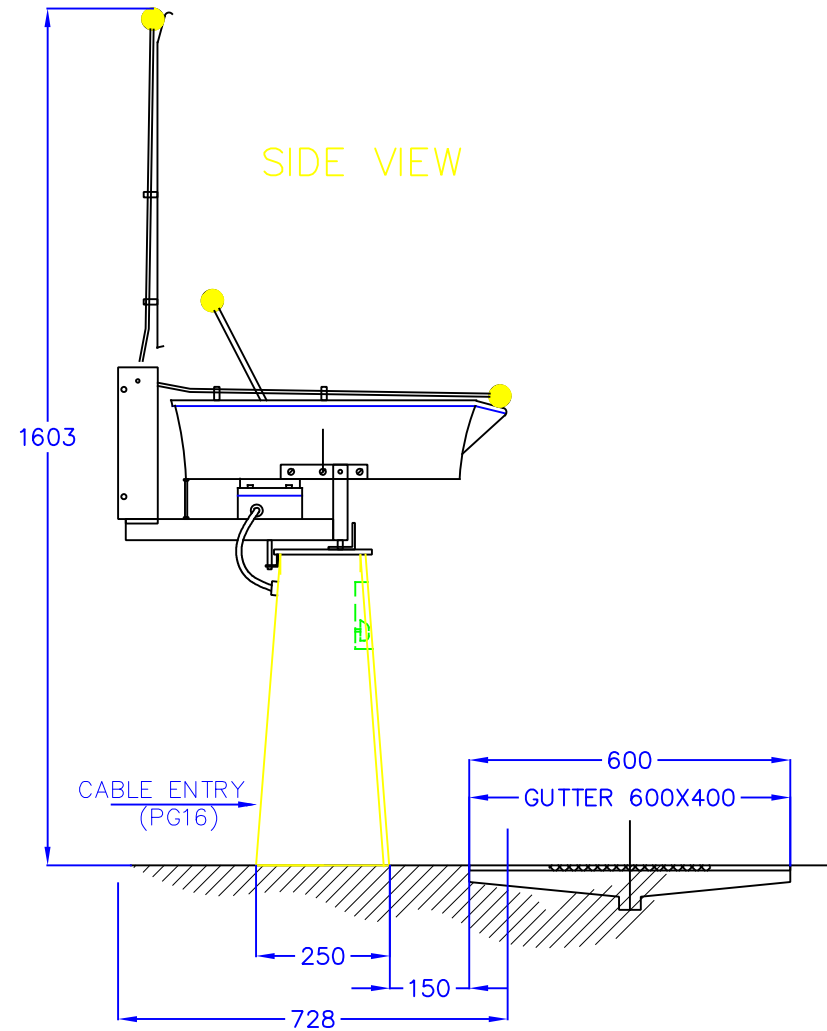


01.11

FRONT VIEW



SIDE VIEW



The gutter can not be placed more than 150 mm from the socket of the frying pan.

The size of the well must not be less than 300mmx300mm

www.beha-hedo.com

Voltage	Rated Power	Fuse	Weight
440/3/60	5 kW	10 A	60 kg



TECHNICAL SPECIFICATION

FRYING PAN
BEHA 3140 KSL

Date: 2017.11.29

Dwg: 117504