

Griddle: Beha 1802 / 1804

Design/Construction

The 18 series griddles are made of stainless steel with a plate of specially treated hot rolled steel to obtain the best possible heat distribution.

The griddles are available as single or double units with two independent heating zones (front/rear).

A drawer has been fitted in the front for easy grease removal.

The griddles can be delivered as a table models or with separate stand.

Use

All sorts of meat, fish and vegetables can be fried with good result on the griddle.

Separate heating zones make it possible to fry with different temperature at the same time.

The heating zone temperature is controlled by individual thermostats



Power supply

Voltage: 230/400/440V-3phase

Other voltages on request

Options:

Stand with shelf.

Grooved top.

Capacity

1802: Frying area approx 38x60cm

1804: Frying area approx 78x60cm

- EASY CLEANING
- HIGH CAPACITY
- SUPERB RESULTS
- RECYCLABLE

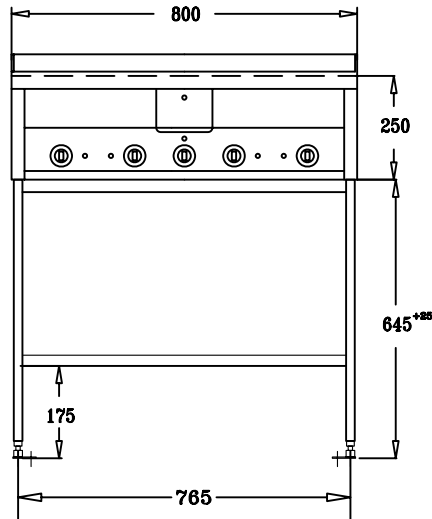
05.11



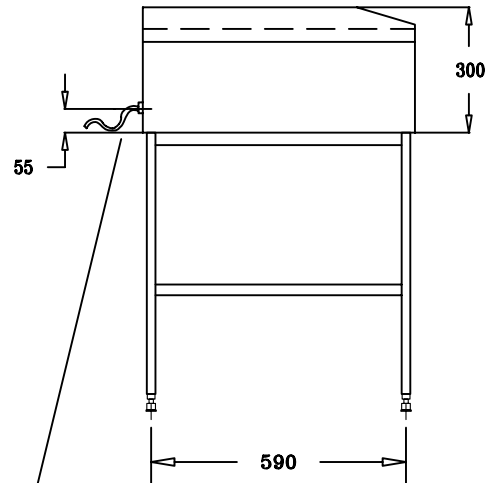
Voltage	Rated Power	Recommended fuse	Weight
440/3/60	8kW	16A	82kg

GRIDDLE ON STAND
BEHA 1804

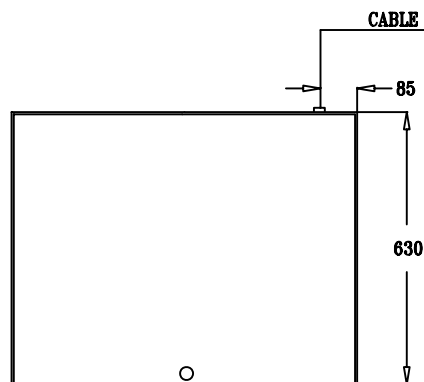
FRONT VIEW



LEFT VIEW



TOP VIEW



Notel Delivered with 1,8m cable.

FASTENING

